

**FEATURES:**

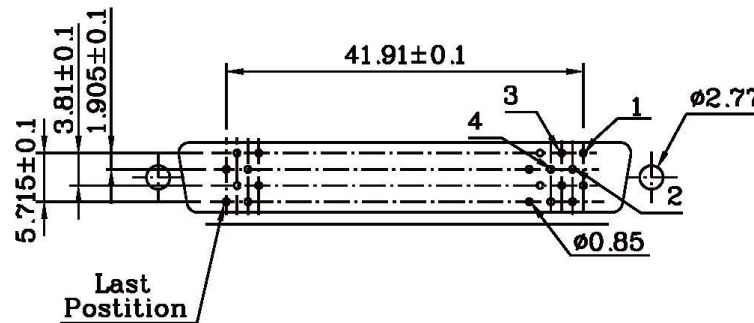
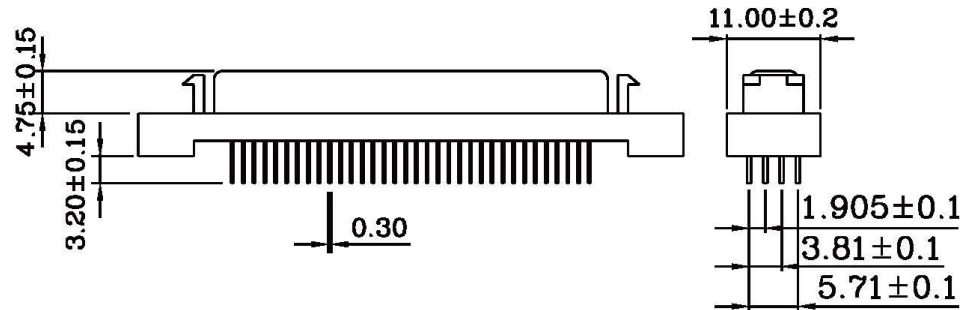
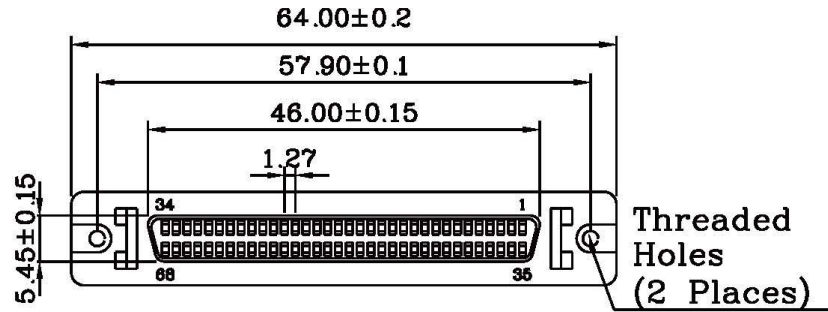
- Half pitch 1.27mm(.050") series
- D-SUB type female connector for P.C.B straiqe Dip solder type
- Receptacle assemblies bracket with latch blockand without latch block
- Die-Cast body provide EMI/RFI shielded
- Industhial standard interface

**MATERIALS:**

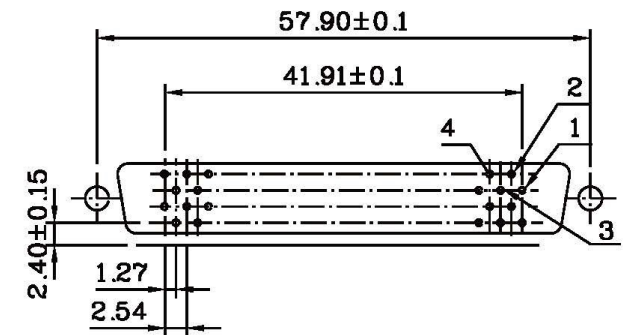
- Housing: Plastic thermoplastic P.B.T UL94V-0 black
- Contact: Phosphor bronze gold selective plated over Tin
- Brocketshell: Die-Cast Zinc Nickel plated over copper

**ELECTRICAL:**

- Current Rating: 1 Amp
- Insulation Resistance: 500MΩ/Min
- Withstanding Voltage: 500V AC/Min
- Contact Resistance: 35mΩ Max
- Temperature Range: -55°C ~ +105°C



P.C.B LAYOUT: 1



P.C.B LAYOUT: 2

**RoHS Compliant**

**All Connectors**

DRAWING BY CY

CHECKED BY GENIUS

UNIT/mm SCALE 1:1

DATE

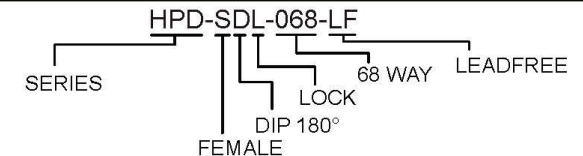
SIZE A4 PROJECTION

TOLERANCES ARE

- X ±
- X ±
- .XX ±
- .XXX ±
- ANG ±



**ORDER INFORMATION**



DESCRIPTION: 1.27mm(.050") Pitch D-SUB 68P Female Connector Straight Dip Solder Type

www.allconnectors.de info@allconnectors.de  
Tel.: 0049 711 7009503 Fax: 0049 711 7009504  
70794 Filderstadt - Germany Kettnerstr. 25