

**FEATURES:**

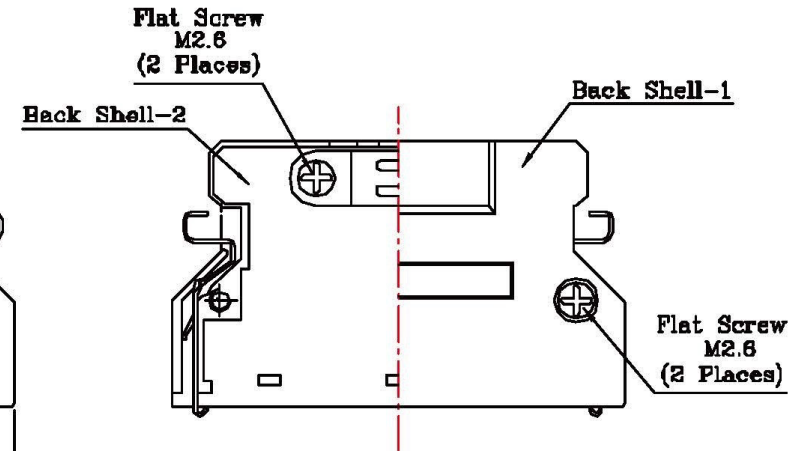
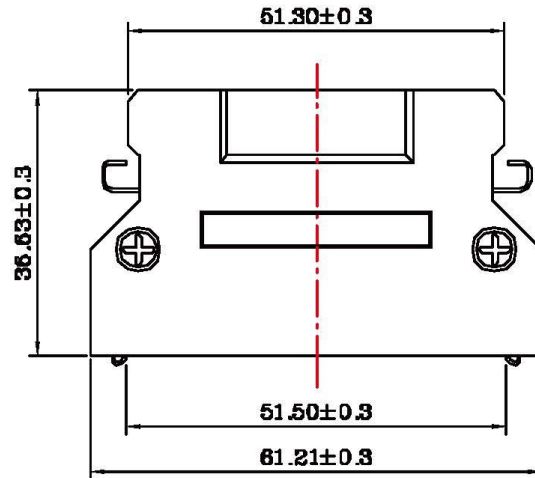
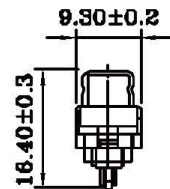
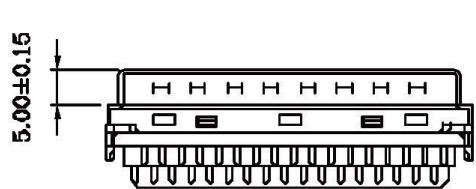
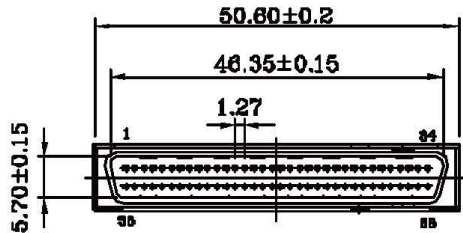
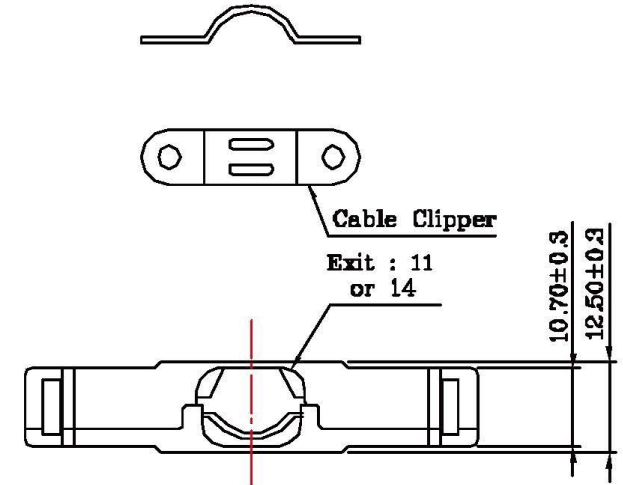
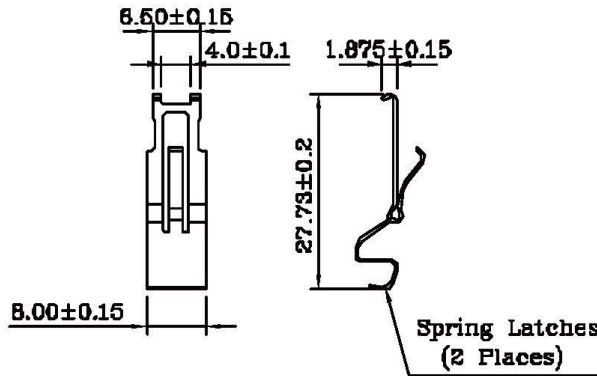
- Half pitch 1.27mm(.050") series
- D-SUB Male connector solder type for cable
- Assembly hood: with Die-Cast metal hood
- Fully EMI/RFI shielded

**MATERIALS:**

- Housing: Thermoplastic P.B.T UL94V-0 black
- Contacts: Phosphor bronze mating end selective gold plated
- Front Shell: Steel nickel plated over copper

**ELECTRICAL:**

- Current Rating: 1 Amp
- Insulation Resistance: 500MΩ/Min
- Withstanding Voltage: AC 500V/Min
- Contact Resistance: 35mΩ MAX
- Temperature Range: -55°C ~ +105°C



**All Connectors**

www.allconnectors.de info@allconnectors.de  
 Tel.: 0049 711 7009503 Fax: 0049 711 7009504  
 70794 Filderstadt - Germany Kettnerstr. 25

**RoHS Compliant**

DRAWING BY CY  
 CHECKED BY GENIUS  
 UNIT / mm SCALE 1 : 1  
 DATE  
 SIZE A4 PROJECTION

TOLERANCES ARE

X ±  
 .X ±  
 .XX ±  
 .XXX ±  
 ANG ±



**ORDER INFORMATION**

HPD-PSW-068-LF  
 SERIES | LEADFREE  
 | 68 WAY  
 | W TYPE COVER  
 | SOLDER  
 | MALE

DESCRIPTION: 1.27mm(.050") Pitch D-SUB 68P Male Connector Solder Assembly Type