

**FEATURES:**

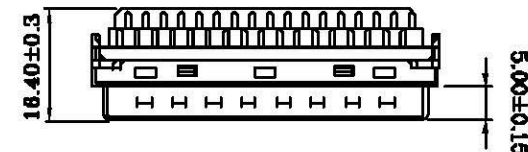
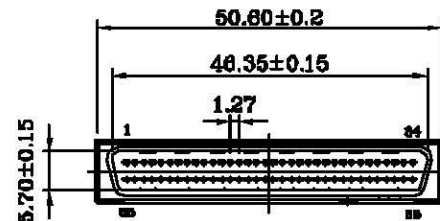
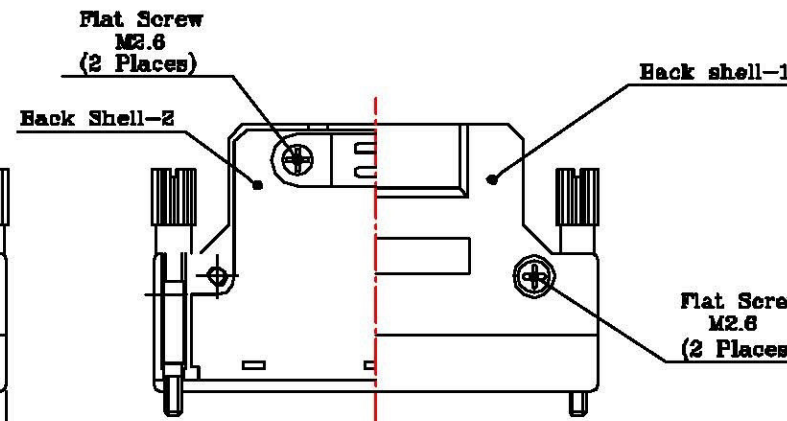
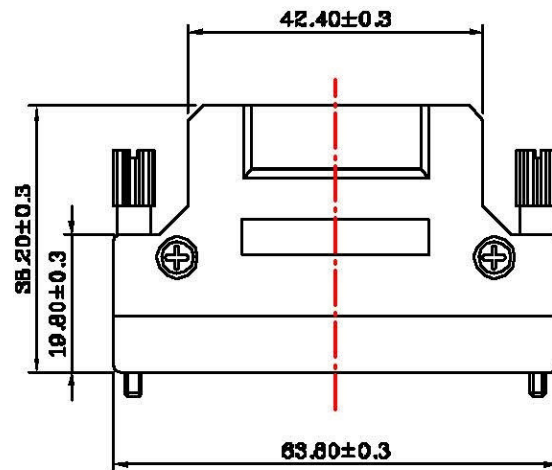
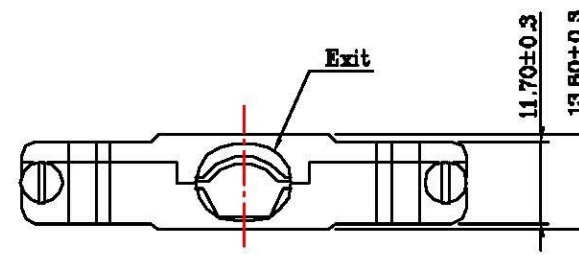
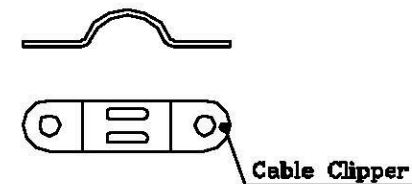
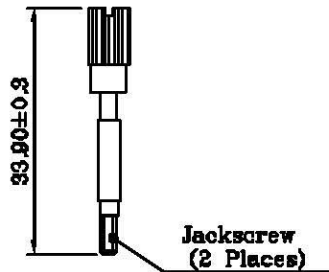
- Half pitch 1.27mm(.050") series
- D-SUB Male connector solder type for cable
- Assembly hood: with Die-Cast metal hood
- Fully EMI/RFI shielded

**MATERIALS:**

- **Housing:** Thermoplastic P.B.T UL94V-0 black
- **Contacts:** Phosphor bronze mating end selective gold plated
- **Front Shell:** Steel nickel plated over copper

**ELECTRICAL:**

- **Current Rating:** 1 Amp
- **Insulation Resistance:** 500MΩ/Min
- **Withstanding Voltage:** AC 500V/Min
- **Contact Resistance:** 35mΩ MAX
- **Temperature Range:** -55°C ~ +105°C



**All Connectors**

www.allconnectors.de  
Tel.: 0345 711 7005503  
70754 Filckenstedt - Germany

info@allconnectors.de  
Fax: 0345 711 7005504  
Kettnerstr. 25

PART NO. HPD-PSM-068		CHECKED BY CY		TOLERANCES ARE .X ± 0.2 .XX ± .XXX ± AWG	DESCRIP TION:			
DWG NO. HPD-PSM-068		DRAWING BY						
FILE NO.		PROJECTION		AREA	REVISIONS	HK	DATE	
UNIT / mm	SCALE 1:1							