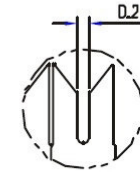
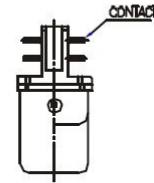
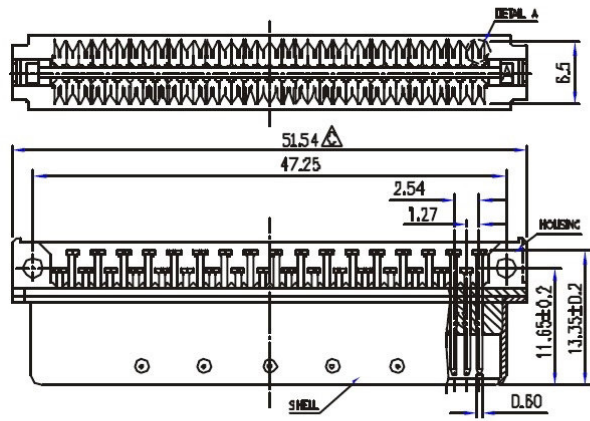
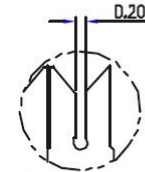


CONNECTOR BODY

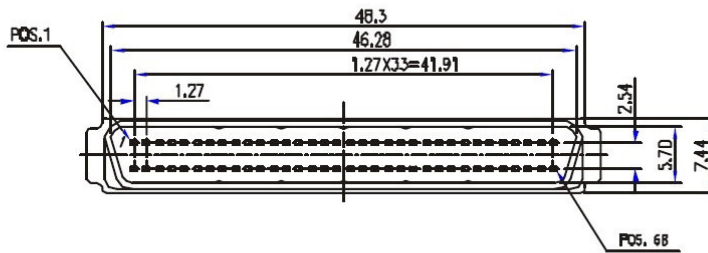


RECOMMENDATION: USED ON 28 AWG
P/N: HPD-PIX26-068
TYPE 1

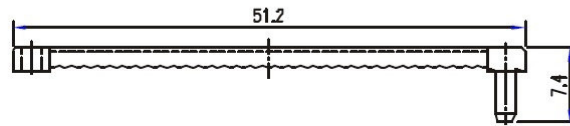


RECOMMENDATION: USED ON 30 AWG
P/N: HPD-PIX30-068
TYPE 2

DETAIL A
SCALE: 10 : 1



TERMINATION COVER



HPD-PI-068-LF
LEADFREE

RoHS Compliant

All Connectors

www.allconnectors.de
T: +49 711 7095505
70794 Filderstadt, Germany

Info@allconnectors.de
Fax: +49 711 7095504
Kettenstraße, 25

PART NO. HPD-PI-068

DWG NO. HPD-PI-068

FILE NO.

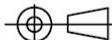
UNIT / mm

SCALE 1:1

CHECKED BY CY

DRAWING BY

PROJECTION



TOLERANCES ARE

.X ± 0.2
.XX ± 0.1
.XXX ±
AWG

DESCRIPTION:

AREA

HALF-PITCH PIN TYPE SERIES,
68 POS. CABLE PLUG CONNECTOR

REVISIONS

HK

DATE

NOTE:

1.0 SPECIFICATIONS:

- 1.1 CONTACT CURRENT RATING: 1.0 AMPERES
- 1.2 DIELECTRIC WITHSTANDING VOLTAGE: AC 500 VOLTAGE R.M.S
- 1.3 HOUSING RESISTANCE: 1,000 MEGOHMS MINIMUM
- 1.4 CONTACT RESISTANCE: 35 MILLIOHMS MAXIMUM
- 1.5 OPERATING TEMPERATURE: -55°C TO +105°C

2.0 MATERIALS:

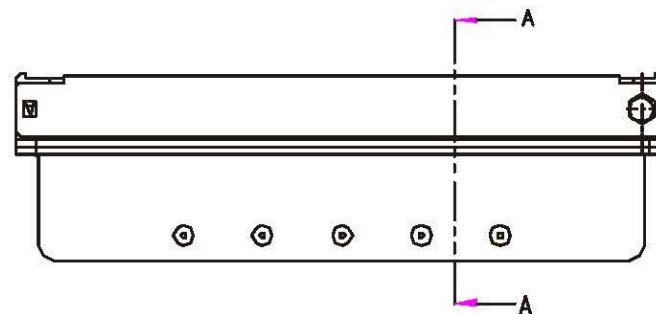
- 2.1 HOUSING: THERMOPLASTIC, GLASS-FIBER FILLED IN/UL
94V-0 RATED, COLOR TO BE BLACK
- 2.2 CONTACT: PHOSPHOR BRONZE
- 2.3 SHELL: STEEL
- 2.4 TERMINATION COVER: THERMOPLASTIC, GLASS-FIBER FILLED IN/UL
94V-0 RATED, COLOR TO BE BLACK

3.0 FINISH:

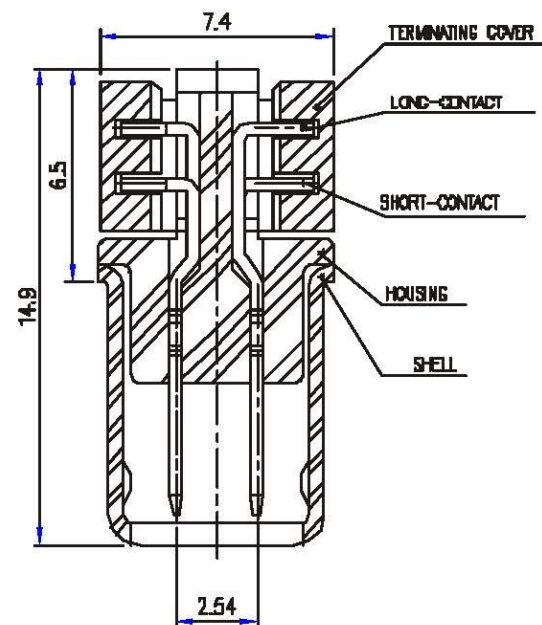
- 3.1 CONTACT: SELECTIVE GOLD PLATING
- 3.2 SHELL: NICKEL OVER COPPER

4.0 OTHERS:

- 4.1 RECOMMENDED WIRE: 28 AWG OR 30 AWG, SOLID OR 7 STRAND,
WITH A INSULATION DIAMETER FROM 0.74-0.91 mm.
- 4.2 TERMINATING COVERS ARE PACKAGED SEPARATELY.



ASSEMBLY
SCALE 2:1



SECTION A-A
SCALE 5:1

All Connectors

www.allconnectors.de
Tel.: 0049 711 7009500
70794 Filderstadt - Germany

info@allconnectors.de
Fax: 0049 711 7009504
Kettenerstr. 25

PART NO. HPD-PI-068

DWG NO. HPD-PI-068

FILE NO.

UNIT / mm

SCALE 1:1

CHECKED BY CY

DRAWING BY

PROJECTION



TOLERANCES ARE

.X ± 0.2
.XX ± 0.1
.XXX ±
AWG

DESCRIPTION:

AREA

HALF-PITCH PIN TYPE SERIES,
68 POS. CABLE PLUG CONNECTOR

REVISIONS

HK

DATE