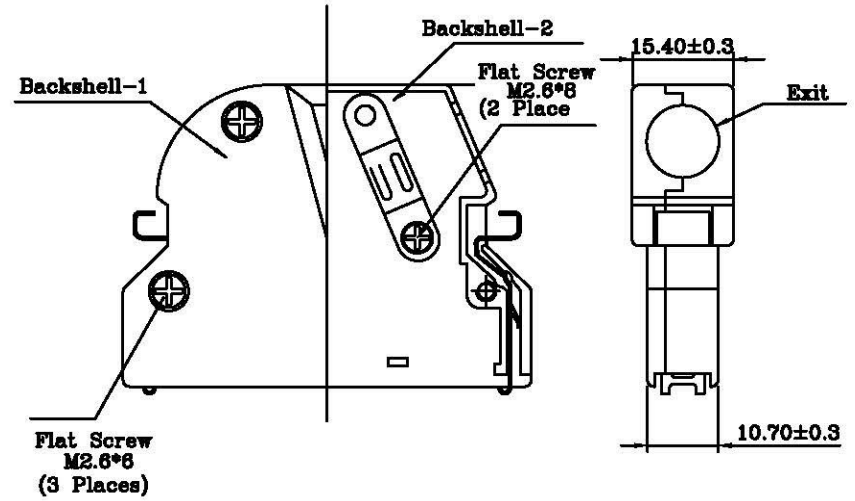
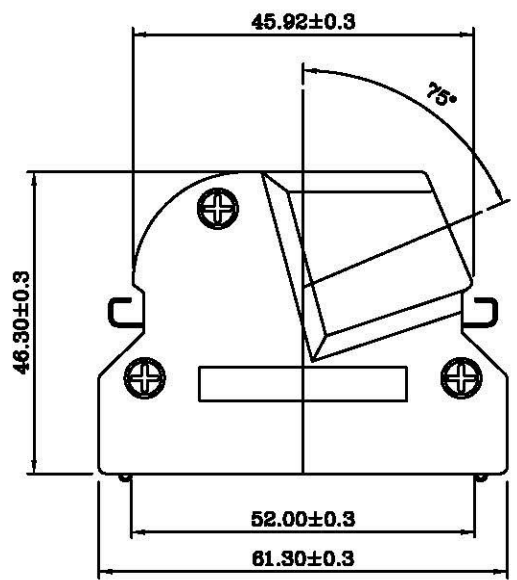
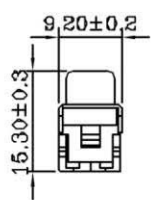
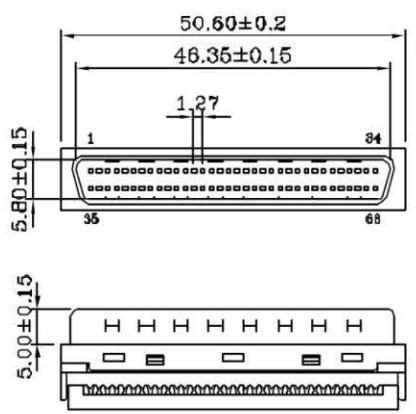
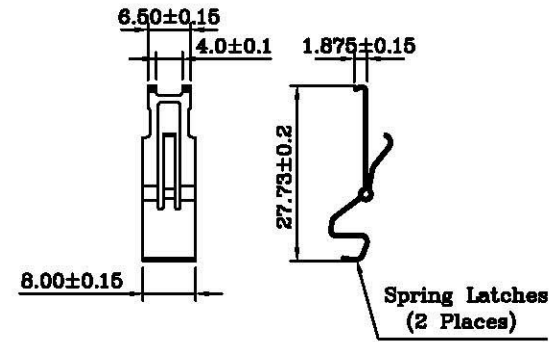


- FEATURES:**
- Round cable angled exit 70°
 - Strain relief staple with spring latches
 - Backshell desing by Die-Cast
 - Excellent EMI/RFI protection
- MATERIALS:**
- Backshell: Zinc plated nickel over copper
 - Spring latches: Phosphor Bronze over Nickel
 - Screw: steel nickel plated over copper
 - Cable Clipper: steel nickel plated

HPD-PFWA-068-LF
LEADFREE
RoHS Compliant



Allconnectors
www.allconnectors.de
Tel.: 0049 711 7009503
Allconnectors GmbH - Germany

info@allconnectors.de
Fax: 0049 711 7009504
Kette-Werstr. 25

PART NO. HPD-PFWA-068		CHECKED BY CY		TOLERANCES ARE .X ± 0.2 .XX ± 0.1 .XXX ± AWG	DESCRIPTION: 1.27mm(.050") Series 68P Hood Shielded Die-Cast With Spring Latches			
DWG NO. HPD-PFWA-068		DRAWING BY						
FILE NO.		PROJECTION		AREA	REVISIONS	HK	DATE	
UNIT / mm	SCALE 1:1							