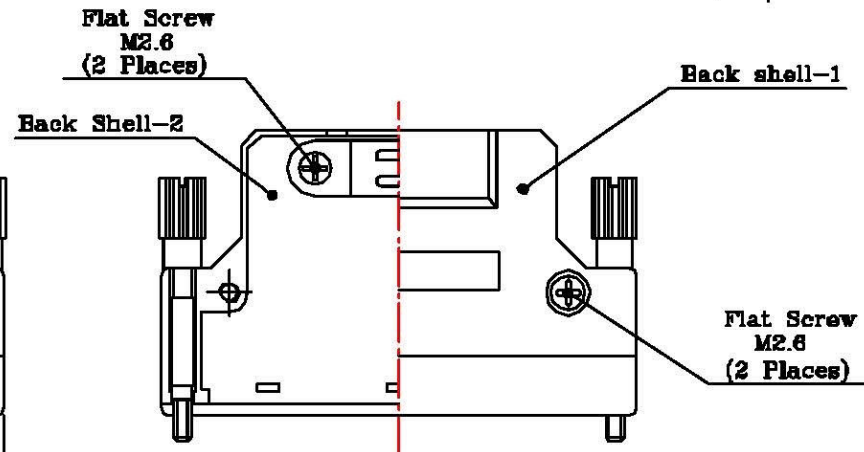
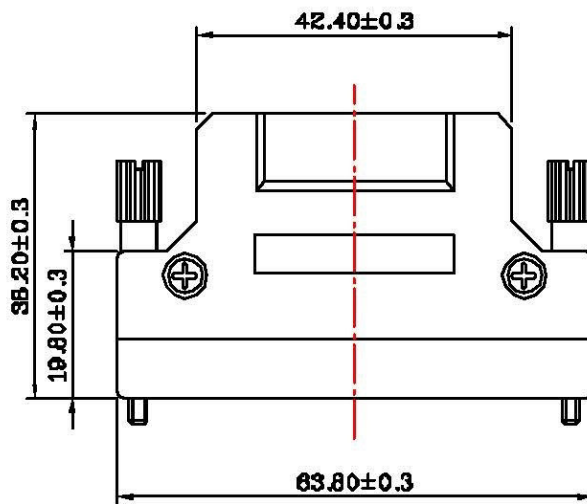
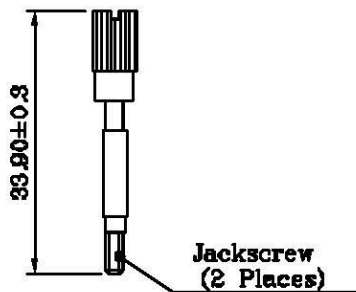
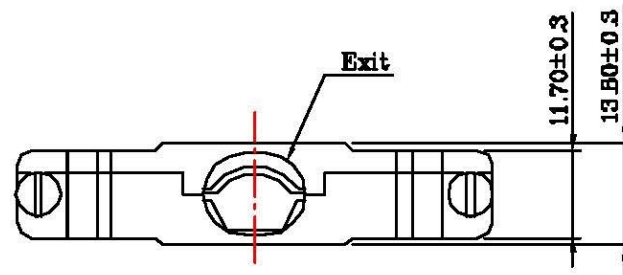
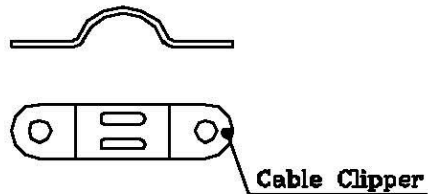


**FEATURES:**

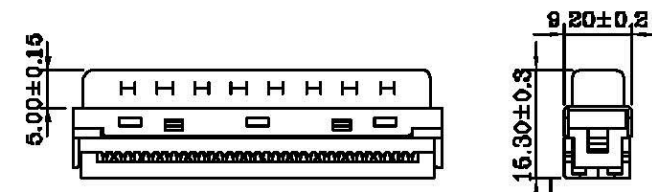
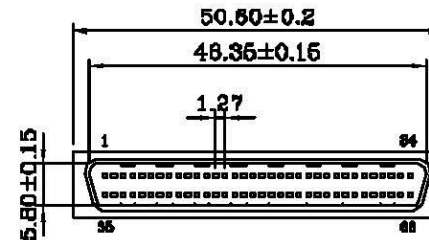
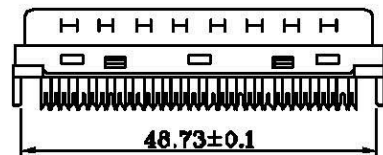
- Round cable straight exit
- Strain Relief Staple With Jackscrew
- Back shell desing by Die-Cast
- Excellent EMI/RFI protection

**MATERIALS:**

- Back Shell: Zinc plated nickel over copper
- Jackscrews: steel nickel plated over copper
- Screw: steel nickel plated over copper
- Cable Clipper: steel nickel plated



HPD-PFM-068-LF  
LEADFREE  
RoHS Compliant



**Allconnectors**

www.allconnectors.de  
TEL: 0049 711 7009501  
70794 Eilderstadt - Germany

info@allconnectors.de  
fax: 0049 711 7009504  
Kerkerstr. 25

PART NO. HPD-PFM-068

DWG NO. HPD-PFM-068

FILE NO.

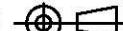
UNIT / mm

SCALE 1:1

CHECKED BY CY

DRAWING BY

PROJECTION



TOLERANCES ARE

.X±0.2  
.XX±0.1  
.XXX±  
AWG

DESCRIPTION:

AREA

REVISIONS

HK

DATE