

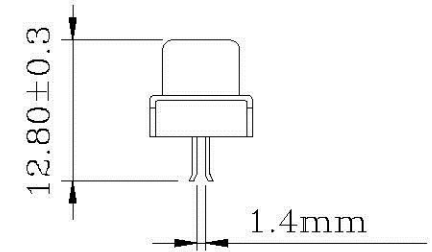
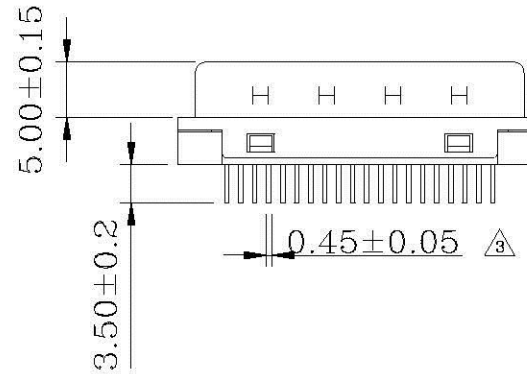
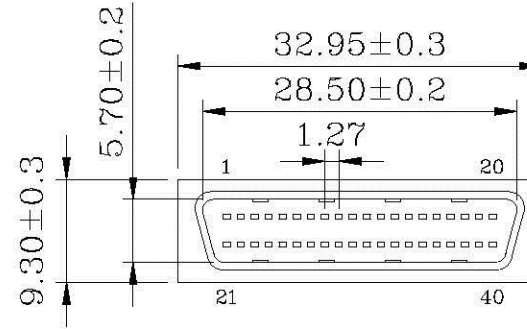
● **MATERIALS: (RoHS Compliant)**

Housing: Plastic Thermoplastic
P.B.T UL94V-0 Black
Contacts: Phosphor Bronze Gold
Selective Plated
Front Shell: Steel Nickel Plated
Over Copper

● **ELECTRICAL CHARACTERISTICS:**

Contact Current Rating: 0.5 Amp
Dielectric Withstanding Voltage: 500V AC
Insulation Resistance: >500MΩ/Min
Contact Resistance: 35mΩ/Max
Operation Temperature: -55°C ~ +85°C

PCB MOUNTING:
1.4mm (For PCB 1.6mm)



HPD-PE14-040-LF
LEADFREE
RoHS Compliant

All connectors

www.allconnectors.de
Tel.: 0049 711 7009503
70724 Rillerstadt - Germany

Info@allconnectors.de
Fax: 0049 711 7009504
Kettnerstr. 25

PART NO. HPD-PE14-040

DWG NO. HPD-PE14-040

FILE NO.

UNIT / mm

SCALE 1:1

CHECKED BY CY

DRAWING BY

PROJECTION



TOLERANCES ARE

X ±
X ±
.XX ±
.XXX ±
ANG

DESCRIPTION:

1.27mm (.050") Pin Type 40Pos
Plug Connector Clip
P.C.B Molded Type

AREA

REVISIONS

DATE