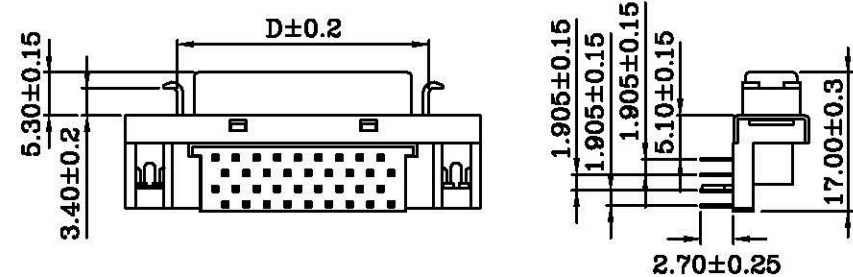
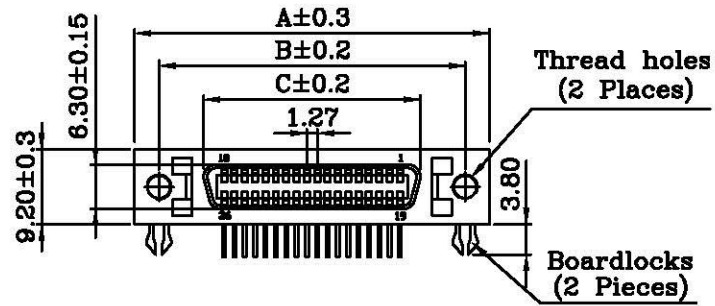


**• MATERIALS:(RoHS Compliant)**

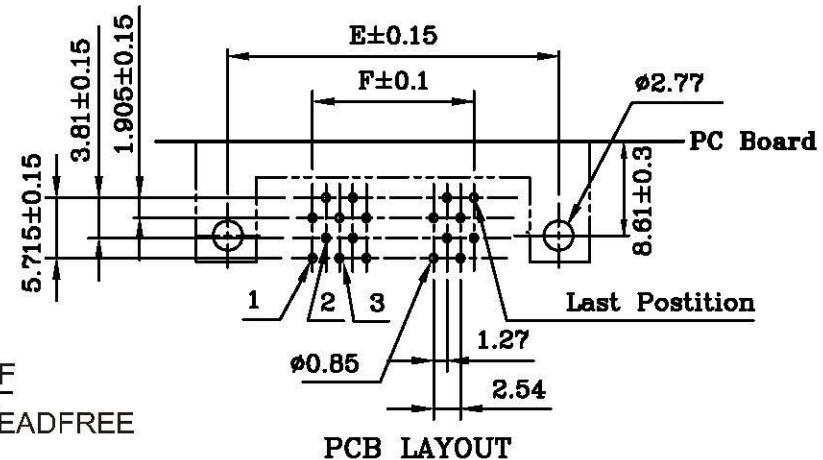
- Housing And Cover : Plastic thermoplastic  
P.B.T UL94V-0 black
- Contacts : Phosphor bronze gold selective plated
- Front Shell : Steel nickel plated over copper
- Boardlock : Brass Tin plated over copper
- Bracket : Steel nickel plated over copper

**• ELECTRICAL CHARACTERISTICS**

- Contact Current Rating: 1 Amp
- Dielectric Withstanding Voltage: 500V AC
- Insulation Resistance: 500MΩ/Min
- Contact Resistance: 35mΩ/Max
- Operation Temperature: -55°C ~ +105°C



NO OF CONTACTS	A	B	C	D	E	F
14	29.57	23.64	12.63	17.08	23.64	7.62
20	33.40	27.40	16.44	20.83	27.45	11.43
26	37.19	31.26	20.25	24.64	31.26	15.24
36	43.54	37.61	26.60	31.05	37.61	21.59
50	52.50	46.50	35.49	39.88	46.50	30.48
68	64.00	57.92	46.92	51.32	57.60	41.91
100	84.18	78.23	67.10		78.10	62.23



HPC-SRL-xxx-LF  
 014:14WAY LEADFREE  
 100:100WAY

RoHS Compliant

**Allconnectors**

www.allconnectors.de  
 Tel.: 0349 711 709503  
 70724 Filderstadt - Germany

info@allconnectors.de  
 Fax: 0349 711 709504  
 Kettnerstr. 25

PART NO. HPC-SRL-xxx

DWG NO. HPC-SRL-xxx

FILE NO.

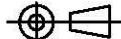
UNIT / mm

SCALE 1:1

CHECKED BY CY

DRAWING BY

PROJECTION



TOLERANCES ARE

.X±0.2  
 .XX±0.1  
 .XXX±  
 AWG

DESCRIPTION:

AREA

1.27mm (.050") Ribbon Serie  
 Receptacles Headers Right-Angle  
 Mount Type

REVISIONS

HK

DATE