

• **MATERIALS:(RoHS Compliant)**

Housing: Plastic Thermoplastic
P.B.T UL94V-0 Black

Contacts: Phosphor Bronze Gold
Selective Plated

Front Shell: Steel Nickel Plated
Over Copper

Bracket: Zinc Alloy, Nickel Plated
Over Copper

• **ELECTRICAL CHARACTERISTICS:**

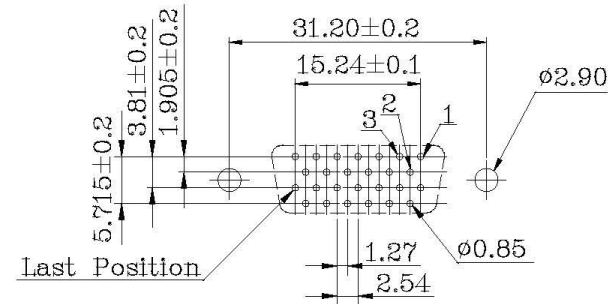
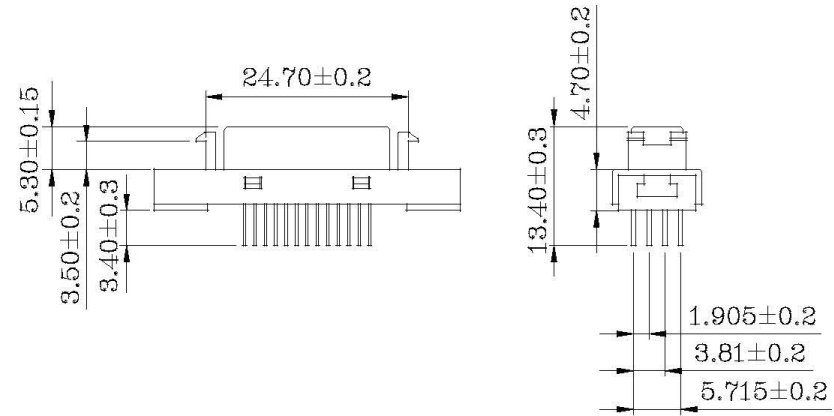
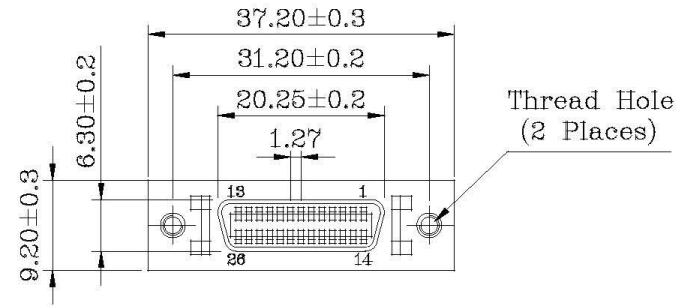
Contact Current Rating: 1 Amp

Dielectric Withstanding Voltage: 500V AC

Insulation Resistance: >500MΩ/Min

Contact Resistance: 35mΩ/Max

Operation Temperature: -55°C ~ +105°C



PCB Layout

All Connectors

www.allconnectors.de
Tel.: 0049 711 7009503
70794 Filderstadt - Germany

info@allconnectors.de
Fax: 0049 711 7009504
Kettnerstr. 25

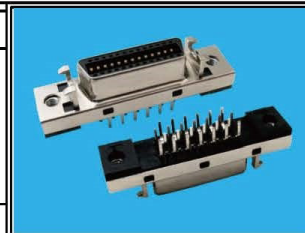
RoHS Compliant

DRAWING BY CY
CHECKED BY GENIUS
UNIT/mm SCALE 1:1
DATE
SIZE A4

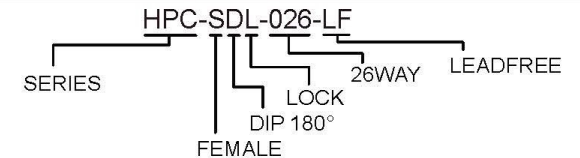
TOLERANCES ARE

X ±
.X ±
.XX ±
.XXX ±
ANG ±

PROJECTION



ORDER INFORMATION



DESCRIPTION: 1.27mm (.050") Ribbon 26Pos
Receptacles Headers Vertical Mount Type