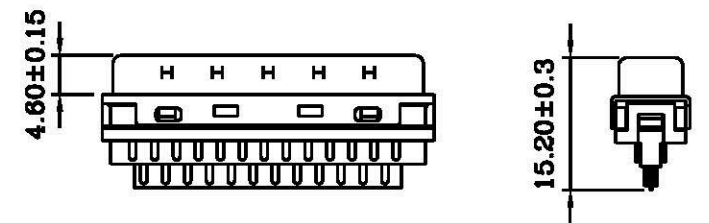
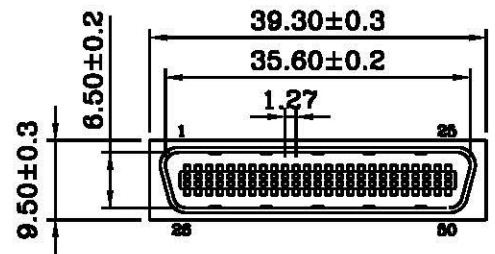
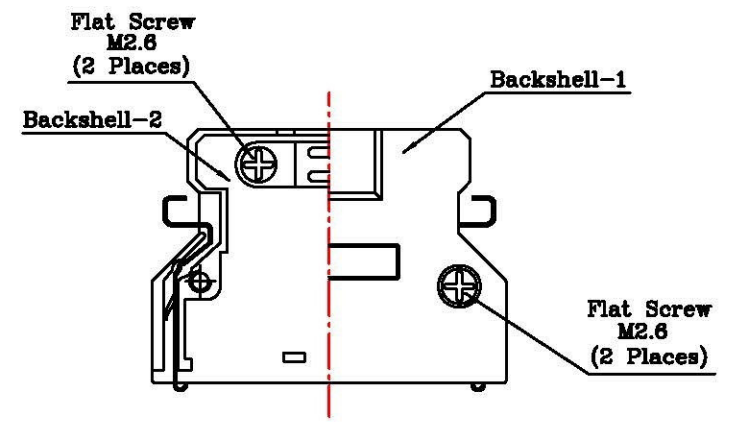
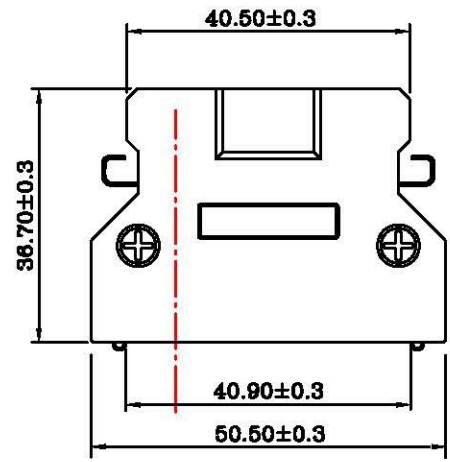


- FEATURES:**
- Round cable straight exit
 - Strain relief staple with spring latches
 - Backshell desing by Die-Cast
 - Excellent EMI/RFI protection
- MATERIALS:(RoHS Compliant)**
- Backshell: Zinc plated nickel over copper
 - Spring latches: Phosphor Bronze over Nickel
 - Screw: steel nickel plated over copper
 - Cable Clipper: steel nickel plated

HPC-PSW-050-LF
LEADFREE
RoHS Compliant



All Connectors
www.allconnectors.de
Tel.: 0049 711 7009503
70734 Filderstadt - Germany

info@allconnectors.de
Fax: 0049 711 7009504
Kettelerstr. 25

PART NO. HPC-PSW-050		CHECKED BY CY		TOLERANCES ARE .X±0.2 .XX±0.1 .XXX± AWG	DESCRIP TION:			
DWG NO. HPC-PSW-050		DRAWING BY						
FILE NO.		PROJECTION		AREA	REVISIONS	HK	DATE	