

● **MATERIALS: (RoHS Compliant)**

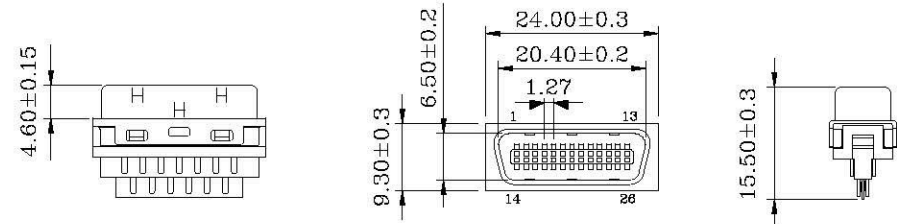
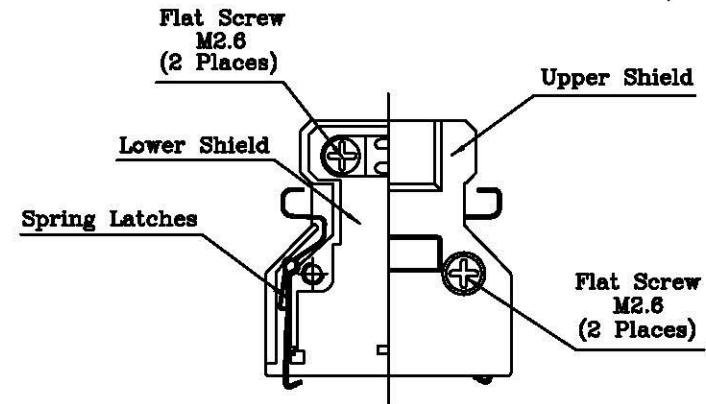
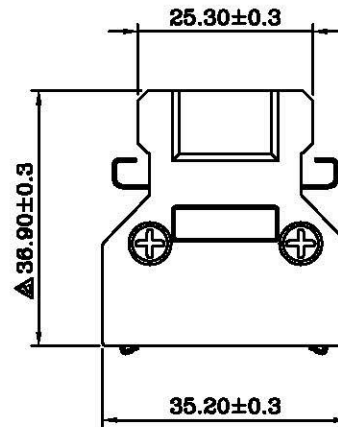
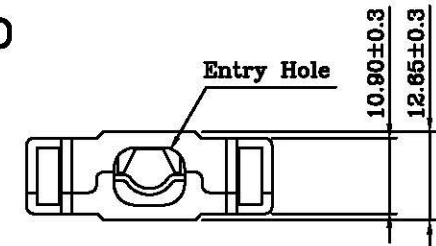
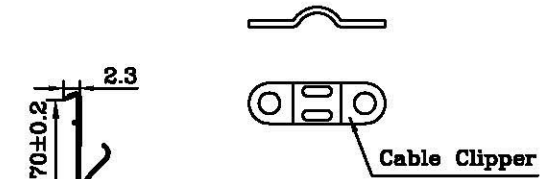
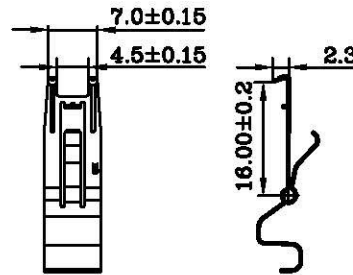
Housing: Plastic Thermoplastic  
 P.B.T UL94V-0 Black  
 Contacts: Phosphor Bronze Gold  
 Selective Plated  
 Front Shell: Steel Nickel Plated Over Copper

● **ELECTRICAL CHARACTERISTICS:**

Contact Current Rating: 0.5 Amp  
 Dielectric Withstanding Voltage: 500V AC  
 Insulation Resistance: >500MΩ/Min  
 Contact Resistance: 35mΩ/Max  
 Operation Temperature: -55°C ~ +85°C

● **MATERIALS: (RoHS Compliant)**

Back Shell: Zinc Alloy Nickel Plated Over Copper  
 Flat Screws: Steel Nickel Plated Over Copper  
 Cable Clipper: Steel Nickel Plated Over Copper  
 Spring Latches: Stainless Steel



**All Connectors**

www.allconnectors.de info@allconnectors.de  
 Tel.: 0049 711 7009503 Fax: 0049 711 7009504  
 70754 Filderstadt - Germany Kettennerstr. 25

**RoHS Compliant**

TOLERANCES ARE

DRAWING BY CY		X ± X ± .XX ± .XXX ± ANG ±
CHECKED BY GENIUS		
UNIT / mm	SCALE 1 : 1	
DATE		
SIZE A4	PJECTION	



**ORDER INFORMATION**

**HPC-PSW-026-LF**  
 SERIES | LEADFREE  
 26 WAY  
 W TYPE COVER  
 SOLDER  
 MALE

**DESCRIPTION:** 1.27mm(.050") Ribbon 26Pos Cable Plug Connector Solder Assembly Type