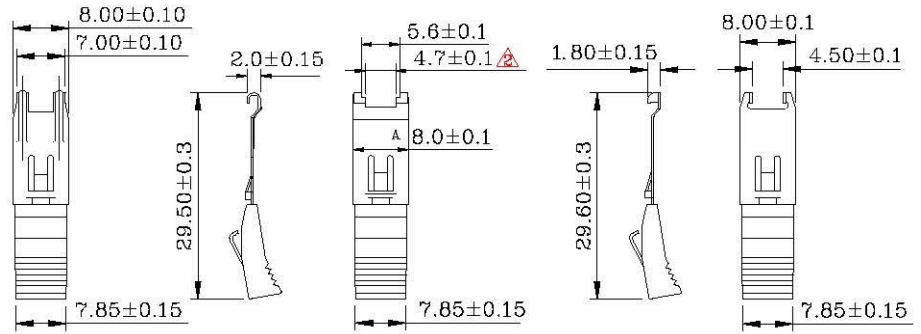
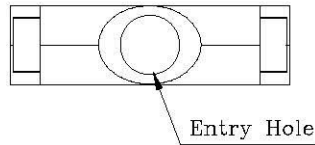


• MATERIALS:(RoHS Compliant)

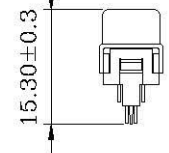
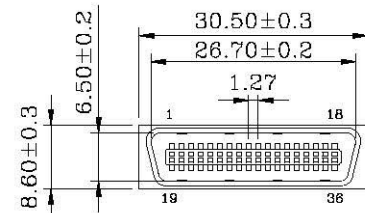
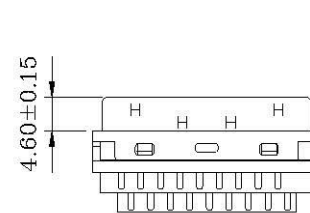
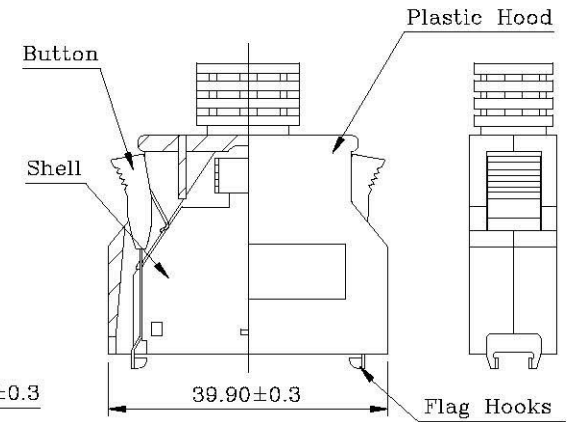
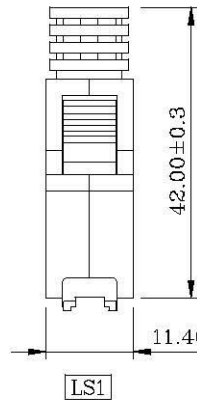
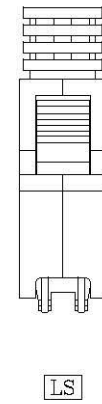
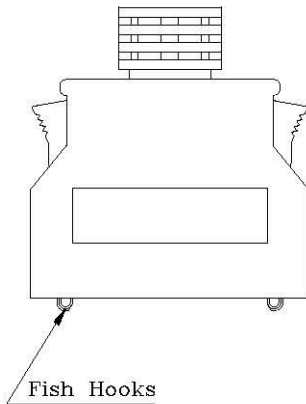
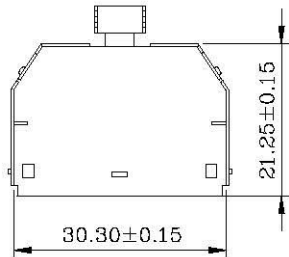
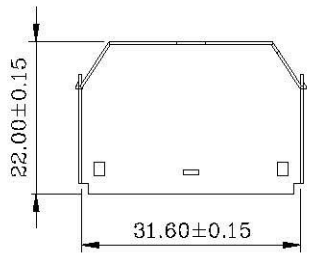
- Hood: Plastic Thermoplastic ABS UL 94V-0
- Latch Cover: Plastic Thermoplastic ABS UL 94V-0
- Latch: Stainless Steel
- Inner Shell: Steel Nickel Plated Over Copper



LS: Fish Hooks

LS1: Fish Hooks

SS: Flag Hooks



All Connectors

www.allconnectors.de info@allconnectors.de
 Tel.: 0049 711 7009503 Fax: 0049 711 7009504
 70734 Filzderstadt - Germany Kettenmerstr. 25

RoHS Compliant

DRAWING BY CY	
CHECKED BY GENIUS	
UNIT / mm	SCALE 1 : 1
DATE	
SIZE A4	PPOJECTION

TOLERANCES ARE

- X ±
- X ±
- .XX ±
- .XXX ±
- ANG ±



ORDER INFORMATION

HPC-PSQ-036-LF
 SERIES | LEADFREE
 | | 36 WAY
 | | Q TYPE COVER
 | | SOLDER
 MALE

DESCRIPTION: 1.27mm(.050") Series 36Pos Plastic Hood With Spring Latches