

• MATERIALS:(RoHS Compliant)

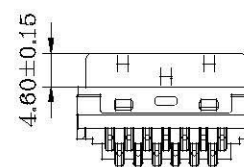
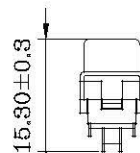
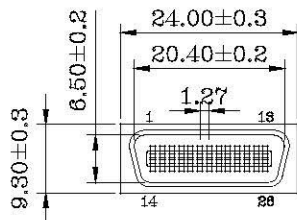
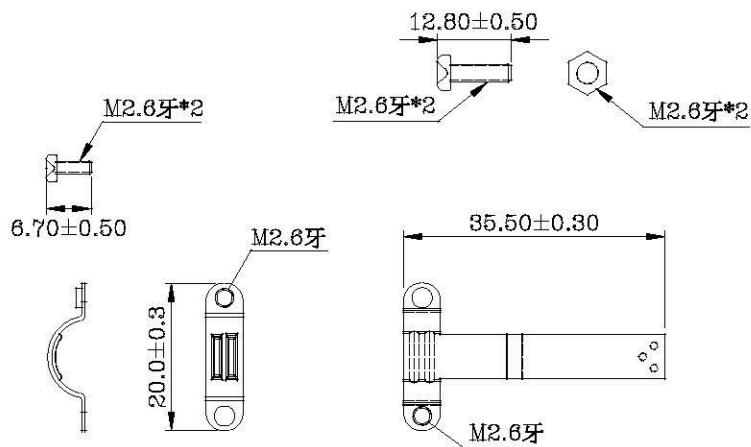
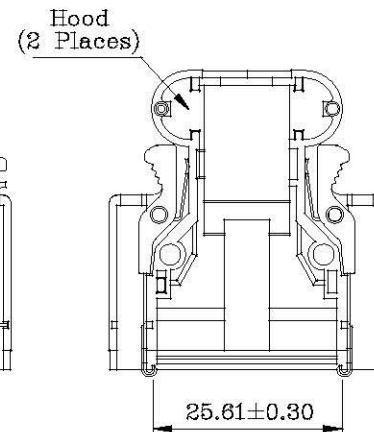
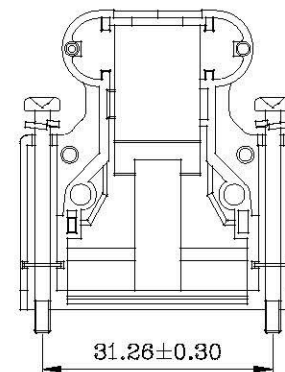
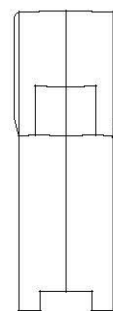
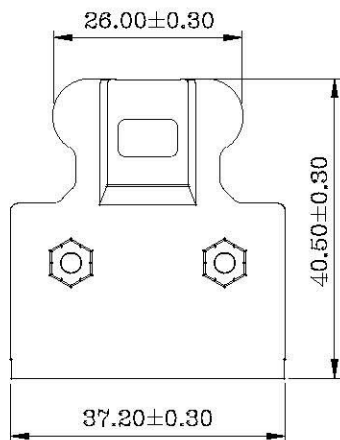
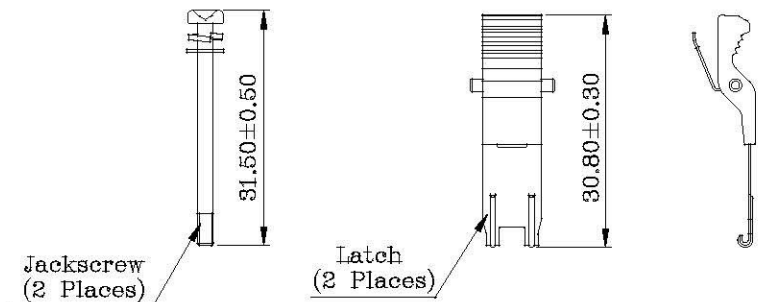
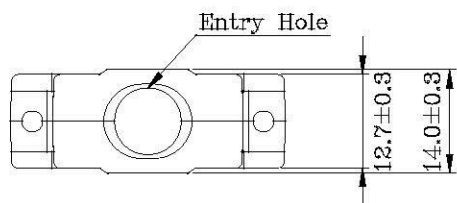
Hood: Plastic Thermoplastic PBT UL 94V-0
 Latch & Hood: Plastic Thermoplastic PBT UL 94V-0
 Latch: Stainless Steel
 Jackscrews: Steel Nickel Plated Over Copper
 Hex Nuts: Steel Nickel Plated Over Copper
 Cable Clipper: Steel Nickel Plated Over Copper
 Screws: Steel Nickel Plated Over Copper

• MATERIALS:(RoHS Compliant)

Housing: Plastic Thermoplastic
 P.B.T UL94V-0 Black
 Contacts: Phosphor Bronze Gold
 Selective Plated
 Front Shell: Steel Nickel Plated Over Copper

• ELECTRICAL CHARACTERISTICS:

Contact Current Rating: 1 Amp
 Dielectric Withstanding Voltage: 500V AC
 Insulation Resistance: >500MΩ/Min
 Contact Resistance: 35mΩ/Max
 Operation Temperature: -55°C ~ +105°C



Screw

Latch

HPC-PSHxyy-026-LF
 LEADFREE
 09:9DIA
 L:LATCH 11:11DIA
 M:MALE/SCREW

RoHS Compliant

All Connectors

www.allconnectors.de
 info@allconnectors.de
 TEL: 0049 711 2019503
 FAX: 0049 711 2019504
 20754 Filderstadt, Germany
 Kollmannstr. 25

PART NO. HPC-PSHxyy-026

DWG NO. HPC-PSHxyy-026

FILE NO.

UNIT / mm

SCALE 1:1

CHECKED BY CY

DRAWING BY

PROJECTION

TOLERANCES ARE

X ± 0.2
 .XX ±
 .XXX ±
 AWG

DESCRIPTION:

1.27mm(.050") Ribbon 28Pos
 Cable Plug Connector
 Solder Assembly Type

AREA

REVISIONS

HK

DATE