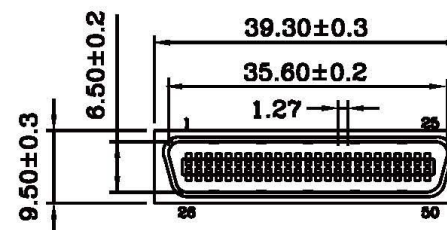
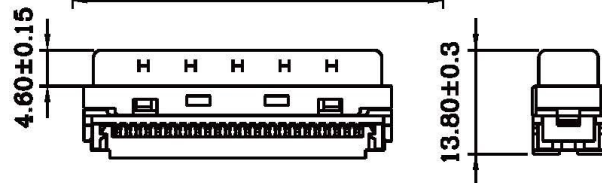
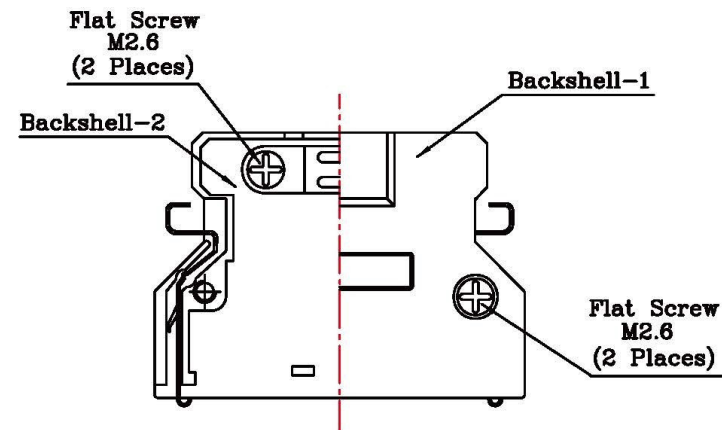
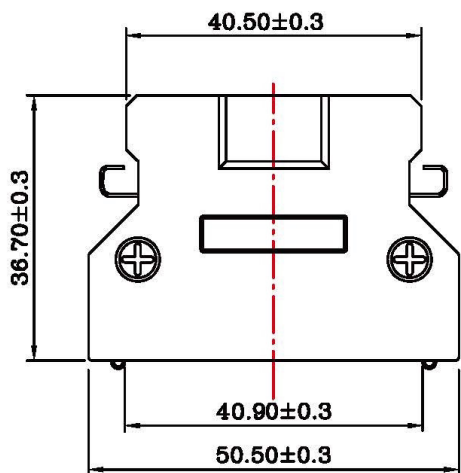


FEATURES:

- Round cable straight exit
- Strain relief staple with spring latches
- Backshell desing by Die-Cast
- Excellent EMI/RFI protection

MATERIALS:(RoHS Compliant)

- Backshell: Zinc plated nickel over copper
- Spring latches: Phosphor Bronze over Nickel
- Screw: steel nickel plated over copper
- Cable Clipper: steel nickel plated



All Connectors

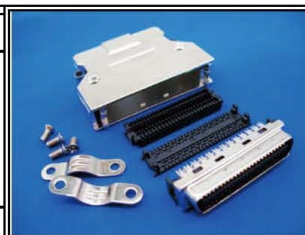
www.allconnectors.de info@allconnectors.de
Tel.: 0049 711 7009503 Fax: 0049 711 7009504
70794 Filderstadt - Germany Kettenerstr. 25

RoHS Compliant

DRAWING BY CY	
CHECKED BY GENIUS	
UNIT/mm	SCALE 1 : 1
DATE	
SIZE A4	PJECTION

TOLERANCES ARE

X ±
X ± 0.20
.XX ± 0.10
.XXX ±
ANG ±



ORDER INFORMATION

HPC-PFW-050-LF
SERIES | LEADFREE
50 WAY
W TYPE COVER
IDC
MALE

DESCRIPTION: