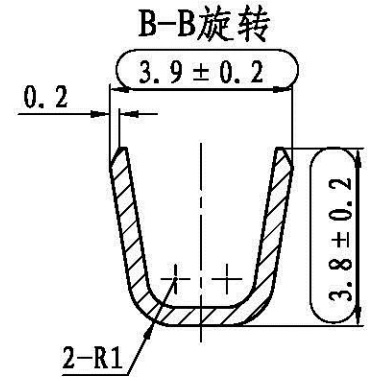
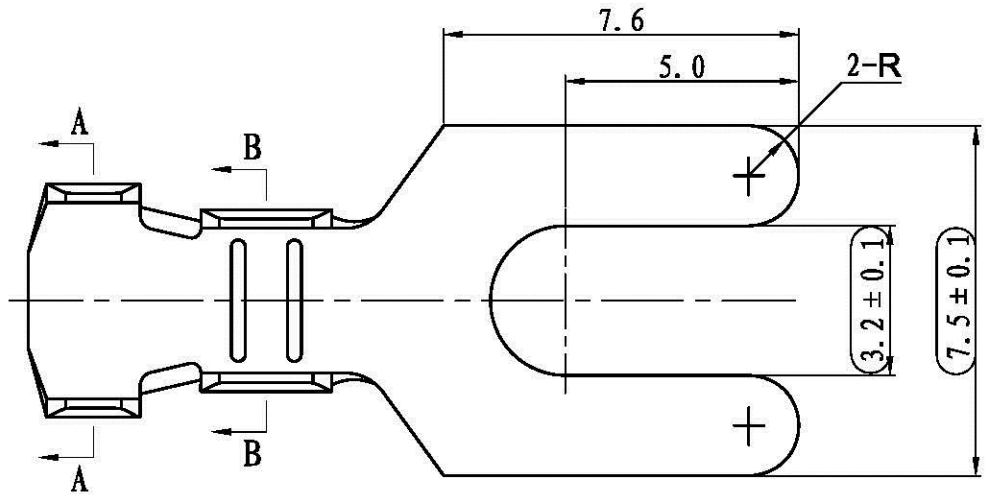


其余 $\frac{3.2}{\sqrt{}}$



Technical Remarks:

- 1, The part must be free of hazard burrs, pointed, sharp edges and mechanical damage.
- 2, The Plating should be uniform, bright, nodefects such as fog spot and delamination.
- 3, Tolerance is not injected by GB1804-M-class.

Symbol Description		Control size
--------------------	--	--------------

Plating	Cu/Ep. Cu10Sn3-5m
---------	-------------------

				UNLESS OTHERWISE SPECIFIED ALL DIMENSIONS ARE IN MM			 <small>www.allconnectors.de info@allconnectors.de Tel.: 0648 711 706503 Fax: 0648 711 706504 Kulmbacher Str. 29</small>	
				TOLERANCES:				
MARK	REV	NAME	DATE	WHOLE NO.	DECIMAL	ANGLE	MATERIAL :BRASS (H62 Y δ=0.4)	
				±0.2	±0.1	±0.5°		
DESIGNER	XUWUYU	2010.11.24	SIZE	REV	SCALE	PAGE	MODEL: UH-327504	
CHECKED	MEIJIAOLONG	2010.11.24	A4		5:1	1/1	FILE NO.: ZR7.731.303	
APPROVAL	JIYAOHU	2010.11.24						

A | B | C | D | E | F | G | H