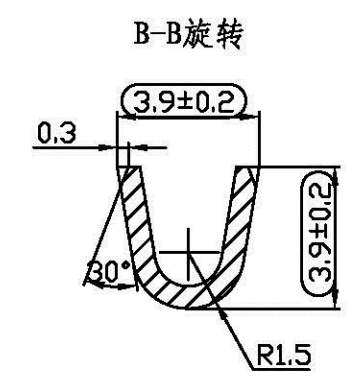
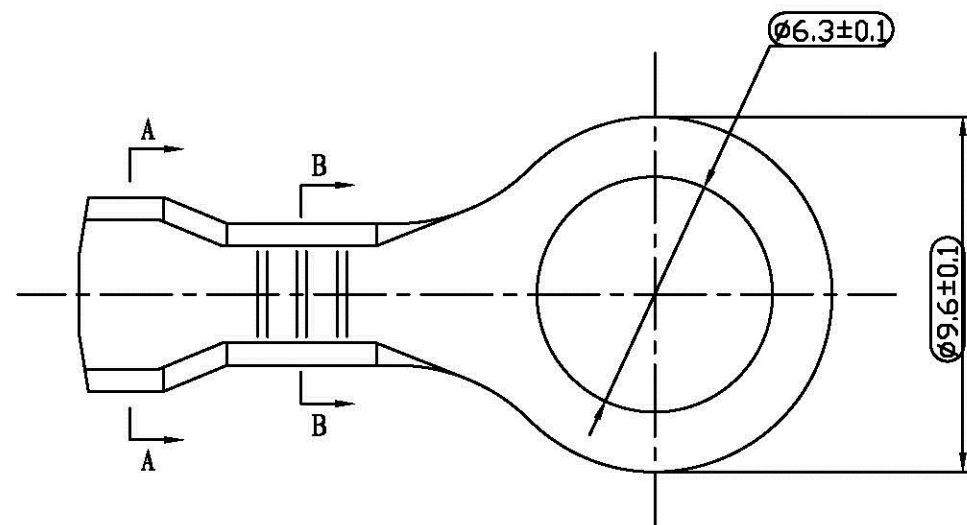


其余 $\sqrt{3.2}$



Symbol Description		Control size
--------------------	--	--------------

- Technical Remarks:
- 1, The part must be free of hazard burrs, pointed, sharp edges and mechanical damage.
 - 2, The Plating should be uniform, bright, nodefects such as fog spot and delamination.
 - 3, Tolerance is not injected by GB1804-M-class.

				Plating	Cu/Ep. Cu10Sn3-5m		
				UNLESS OTHERWISE SPECIFIED ALL DIMENSIONS ARE IN MM			 <small>www.allconnectors.de info@allconnectors.de Tel: +49 89 723 900200 Fax: +49 89 723 900204 70794 Bildesrieder Germany kettenstr. 25</small>
				TOLERANCES:			
MARK	REV	NAME	DATE	WHOLE NO.	DECIMAL	ANGLE	MATERIAL :BRASS (H62 Y δ=0.6)
				±0.2	±0.1	±0.5°	
DESIGNER	XUWUYU	2008.08.30	SIZE	REV	SCALE	PAGE	MODEL: OH-639606
CHECKED	MEIJIAOLONG	2008.08.30	A4		4:1	1/1	
APPROVAL	JIYAOHU	2008.08.30					FILE NO.: ZR7.731.264

A | B | C | D | E | F | G | H