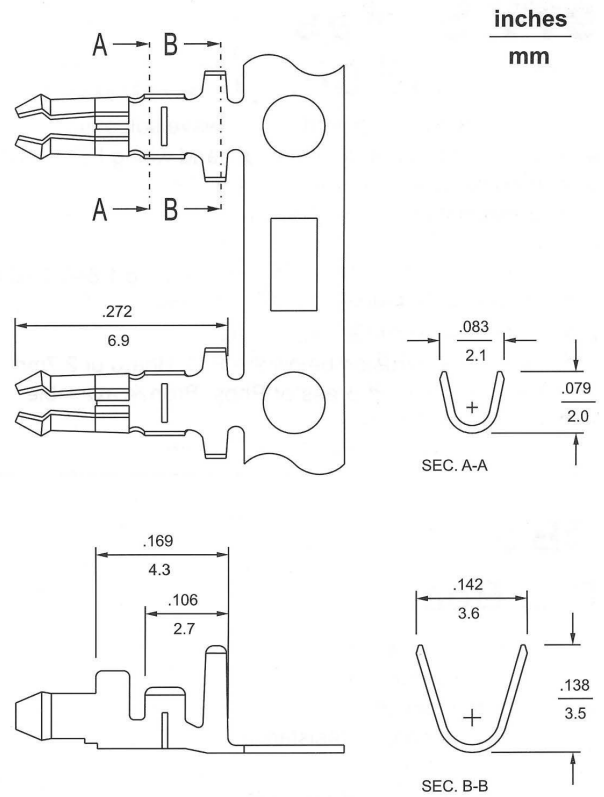


## Standard-Alone Board-In Crimp Terminal

### 103T Series P.C. Board Crimp Terminal

- Secures wire to P.C.B. before wave soldering
- Rapid and economical means of hand wiring P.C.B.
- Wire solders directly to P.C.B.
- No additional contact resistance
- Low profile
- Material: Brass
- Finished: Tin-plated
- Thickness: 0.25mm
- Wire range: #18 ~ #22 AWG
- A max. protrusion below the P.C. Board of 1.5mm
- Recommended P.C.B. hole diameter  $1.8^{+0.1}_{-0}$  mm
- Applicable P.C.B. thickness: 1.6mm



### 104T Series P.C. Board Crimp Terminal

- Secures wire to P.C.B. before wave soldering
- Rapid and economical means of hand wiring P.C.B.
- Wire solders directly to P.C.B.
- No additional contact resistance
- Low profile
- Material: Brass
- Finished: Tin-plated
- Thickness: 0.3mm
- Wire range: #18 ~ #22 AWG bundle wire, #18 x 4 max.
- Recommended P.C.B. hole diameter  $3.2^{+0.1}_{-0}$  mm
- Applicable P.C.B. thickness: 1.6mm
- Roll form package
- Quantity: 2000 PCS/Reel

