

文件名称 File Name	产品规格表 Product Specification
文件编号 File NO.	
产品料号 Part NO.	JT0408120
规格 Spec.	JT0408
材质 Material	黄铜 (Brass) (C2680)
配合公端 Connection Table	-
包装数量 Pack Q'TY	L 120M
适用电线 Applicable Wires	-
单重 weight single	-
尺寸单位 Units	mm
UL NO.	-
表面处理 Surface Treatment	<input type="checkbox"/> 素材 None <input type="checkbox"/> 镀镍 Nickel Plating <input type="checkbox"/> 镀锡 Tin Plating <input type="checkbox"/> 抛光 Chemical Grinding <input type="checkbox"/> 镀银 Silver Plating <input type="checkbox"/> 镀金 Gold Plating

一、未标注尺寸公差
NOT MARK A INCH LAW TOLERANCE
0 ±0.2 0.0 ±0.2
0.00 ±0.1 0.000 ±0.05

二、角度公差: ±3°
ANGLE UNITS

三、适用范围:
APPLICABILITY

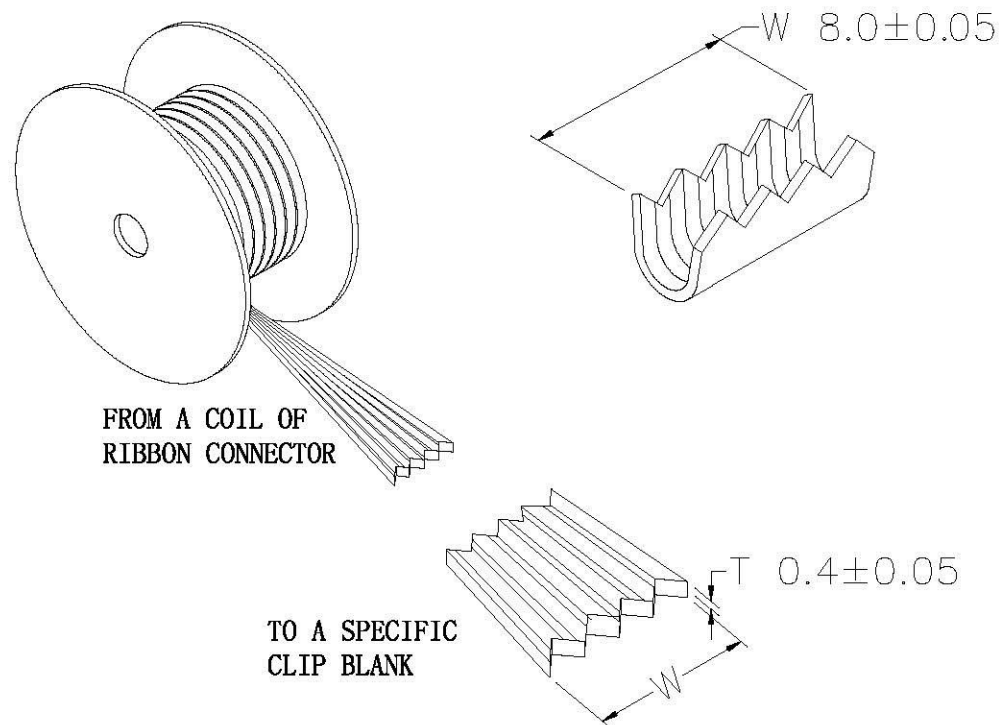
四、检查项目:
CHECK ITEM

1、尺寸量测及规格确认。(量测部位以标英文字母为主)
DIMENSION MENSION MEASUREMENT AND SPECIFICATION CONFIRMATION.
(THE MEASUREMENT PART IS MARK THE ENGLISH LETTER OF ALPHABET FOR THE LORD)

2、外观: 本体不可有腐蚀、刮伤或氧化现象。
Appearance: Terminal cannot be corrected, scratched or oxidized.

五、符合ROHS或客户环保要求
RoHS Pass or Fulfilled Customer's Requirement

六、备注:
NOTE



DESCRIPTION (修改内容)	APPD (核准)	DATE (日期)
--------------------	-----------	-----------

版本: REV.	
-------------	--

所下载之产品规格表仅供参考 The products of download is only for reference