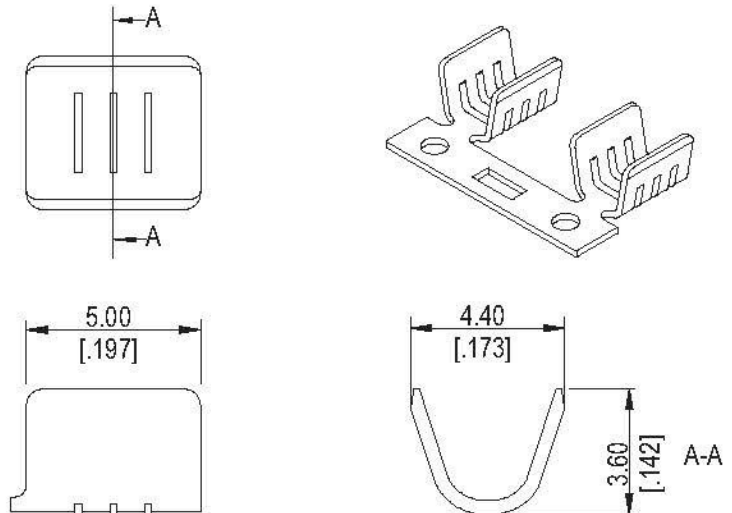


# Stand Alone Board-In Crimp Terminal

## 63T Mini Magnet Wire Splice

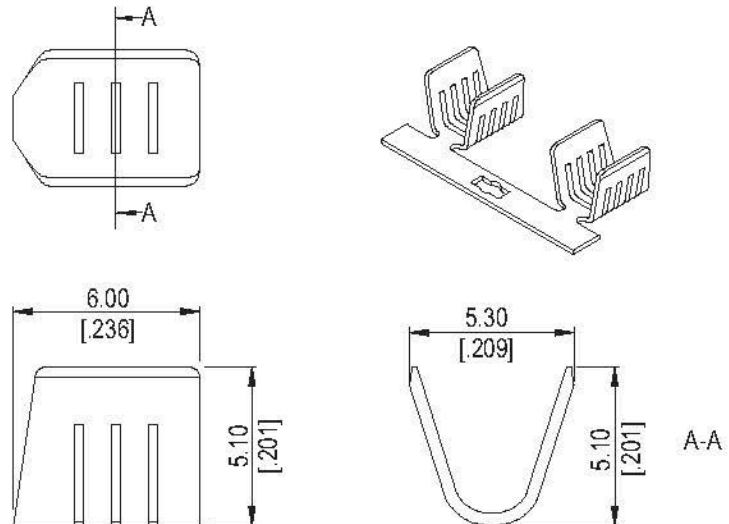
- \* Material : Phosphor bronze or Brass
- \* Applicable wire range : AWG#22-#18
- \* Insulation-piercing
- \* High-speed crimping provides the lowest applied cost
- \* Easy, safe and clean to use --- no soldering
- \* Compression crimp produces a strong and dependable connection
- \* Mini- applicators fit into industry standard crimp presses



mm  
[inch]

## 64T Mini Magnet Wire Splice

- \* Material : Phosphor bronze or Brass
- \* Applicable wire range : AWG#20-#16
- \* Insulation-piercing
- \* High-speed crimping provides the lowest applied cost
- \* Easy, safe and clean to use --- no soldering
- \* Compression crimp produces a strong and dependable connection
- \* Mini- applicators fit into industry standard crimp presses

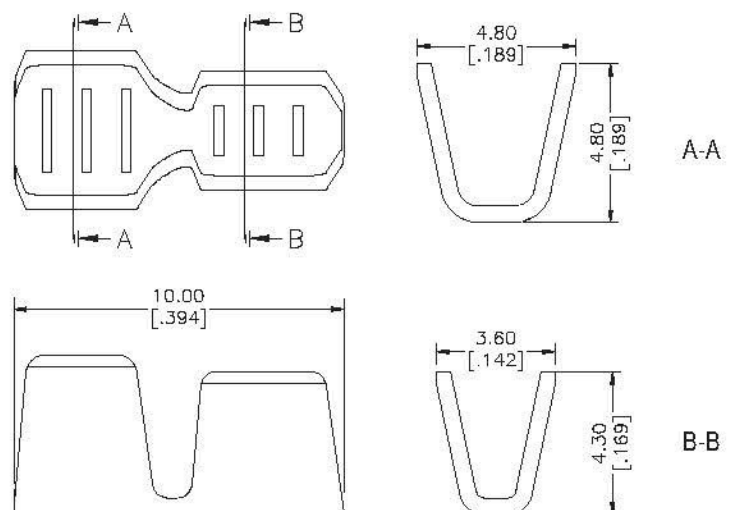
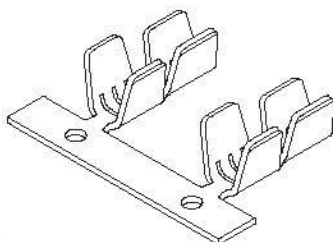


AN  
Terminal

mm  
[inch]

## 65T Mini Magnet Wire Splice

- \* Material : Phosphor bronze or Brass
- \* Applicable wire range : AWG#18-#12
- \* Insulation-piercing
- \* High-speed crimping provides the lowest applied cost
- \* Easy, safe and clean to use --- no soldering
- \* Compression crimp produces a strong and dependable connection
- \* Mini- applicators fit into industry standard crimp presses



B-B

**Allconnectors**

www.allconnectors.de  
Tel.: 0049 711 7009503  
70794 Filderstadt - Germany

info@allconnectors.de  
Fax: 0049 711 7009504  
Kettnerstr. 25