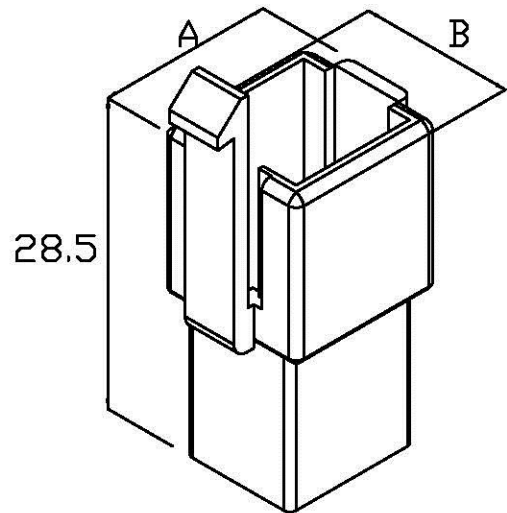


# E661H-K SERIES

Features:

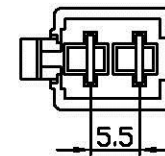
- \* MAT'L: NYLON 66 UL 94V-2
- \* MATES WITH E661 SERIES TERMINAL
- \* MATES WITH E761H-K SERIES HOUSING

unit:mm

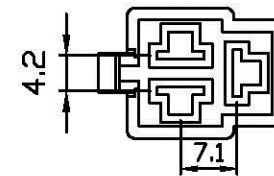


PRAT NO	A	B
E661H-02K	15.3	13.5
E661H-03K	20.5	16.5
E661H-04K(2X2)	15.3	22.8
E661H-06K(2X3)	15.3	31.5
E661H-08K(2X4)	15.3	40.6

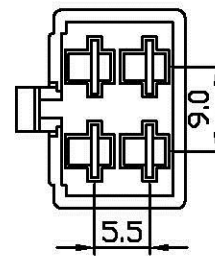
E661H-02K



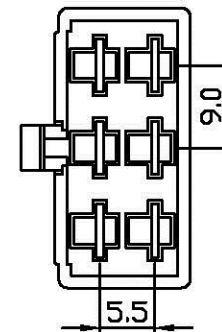
E661H-03K



E661H-04K  
(2X2)



E661H-06K  
(2X3)



E661H-08K  
(2X4)

