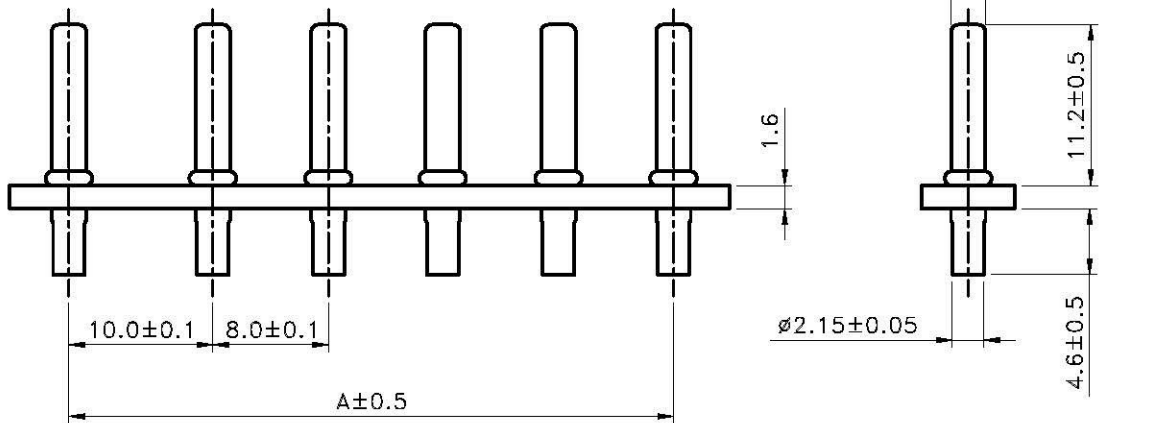
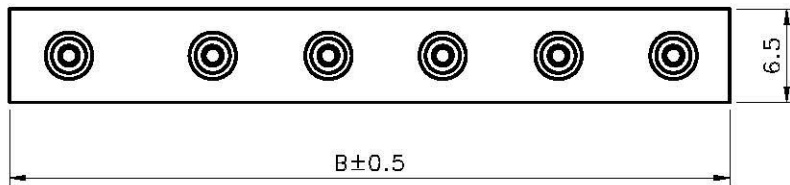
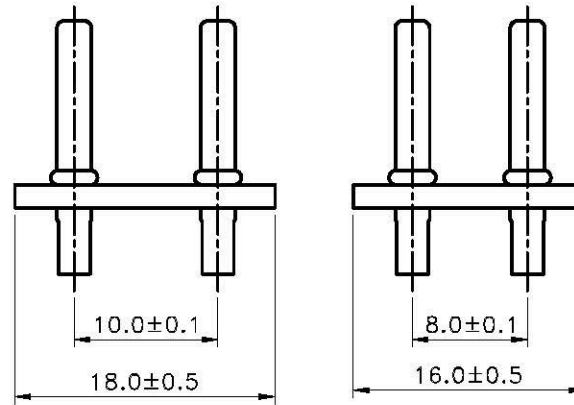


Recommended PCB Layout



■ SPECIFICATIONS

- Voltage Rating : 125V AC/DC
- Current Rating : 3A AC/DC
- Withstanding Voltage : 1,500V AC/minute
- Insulation Resistance : 1,000MΩ min.
- Temperature Range : - 25°C to + 85°C
- Contact Resistance : 20mΩ max.

■ WAFER

- Poles : 1 - 6
- Material : Contact : Brass, Tin plated
Base : Phenolic Bakelite UL94V-0
- Q' ty : 1,000 pcs./Bag

LV-B-xx-LF
LEADFREE
RoHS Compliant

Poles	Part No.	Dimensions(mm)	
		A	B
1	LV-B-01	---	6.50
2	LV-B-02	See the Drawing	
3	LV-B-03	10.0+(8.0x1)	26.00
4	LV-B-04	10.0+(8.0x2)	34.00
5	LV-B-05	10.0+(8.0x3)	42.00
6	LV-B-06	10.0+(8.0x4)	50.00

All Connectors

www.allconnectors.de
Tel.: 0049 711 7005303
70794 Filderstadt - Germany

info@allconnectors.de
Fax: 0049 711 7005501
Kettenerstr. 25

PART NO. LV-B-xx

DWG NO. LV-B-xx

FILE NO.

UNIT / mm

SCALE 1:1

CHECKED BY CY

DRAWING BY

PROJECTION



TOLERANCES ARE

X ±
.XX ±
.XXX ±
AWG

DESCRIPTION:

AREA

REVISIONS

HK

DATE