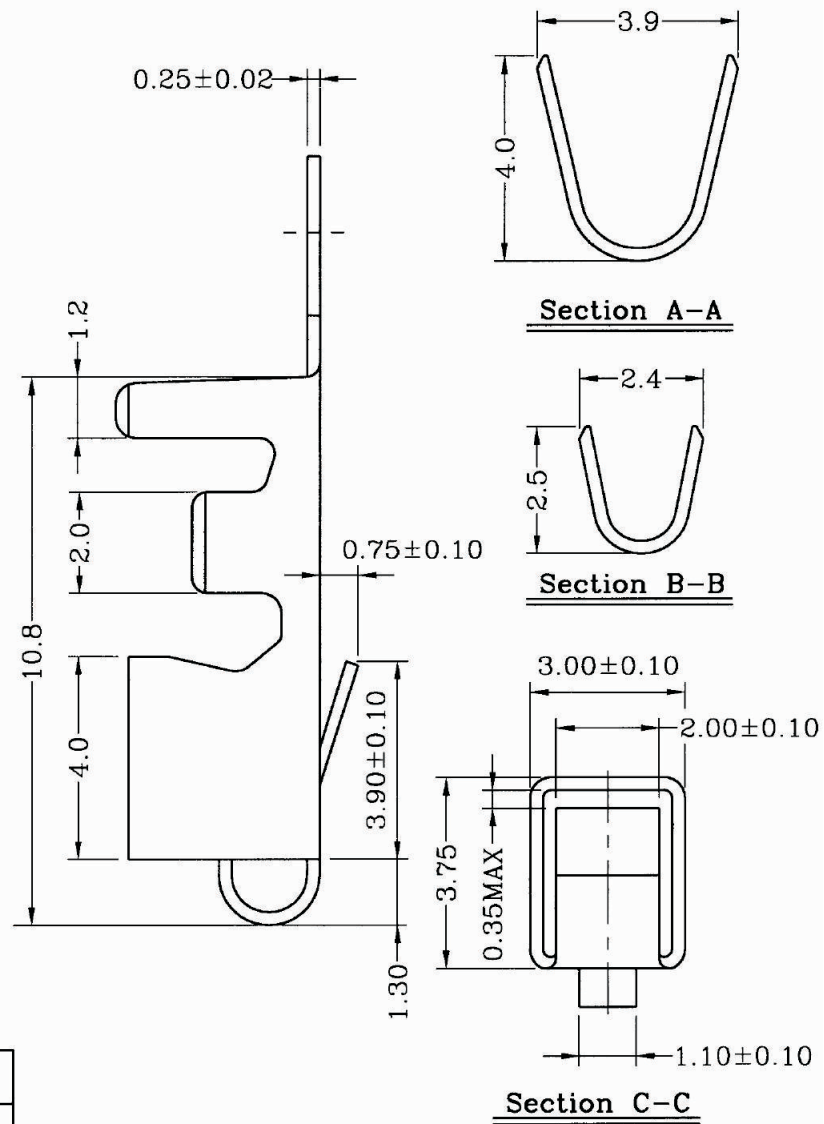
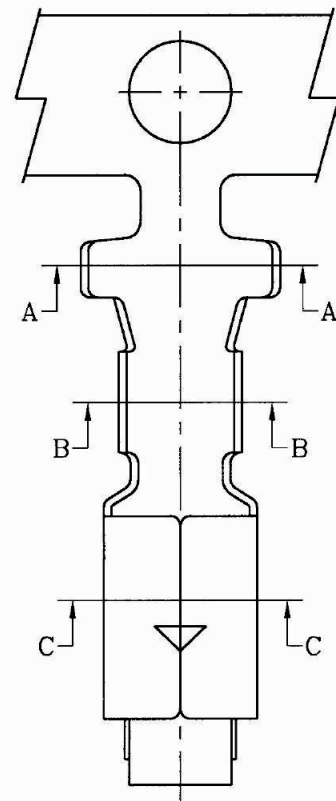


VA-T-18-LF  
LEADFREE  
RoHS Compliant



**Specifications & Ordering Information:**

Part No	Wire Range	Insulation O.D.	Material	Finish	Qty/reel
VA-T-18	AWG #18~#22	2.80mm(max)	Brass	Tin-plated	4,500 PCS

**All Connectors**

www.allconnectors.eu | info@allconnectors.eu  
Tel. +49 (0)711 / 358 110 20 | Fax +49 (0)711 / 358 110 25

PART NO. VA-T-18

DWG NO. VA-T-18

FILE NO.

UNIT / mm

SCALE 1:1

CHECKED BY CY

DRAWING BY

PROJECTION



TOLERANCES ARE

.X ± 0.2  
.XX ±  
.XXX ±  
AWG

DESCRIPTION:

AREA

REVISIONS

HK

DATE