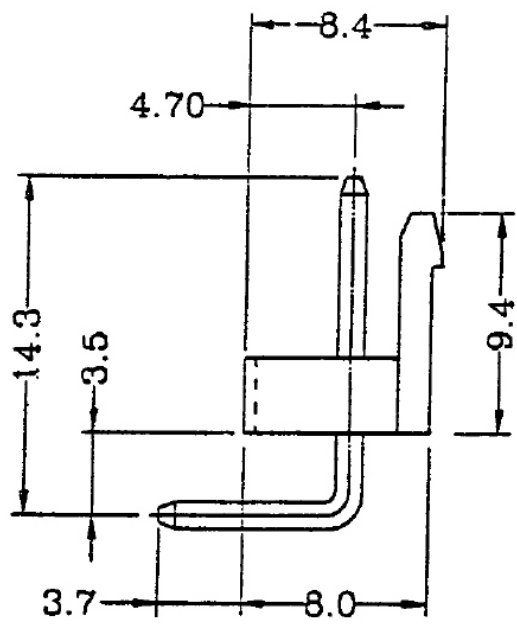
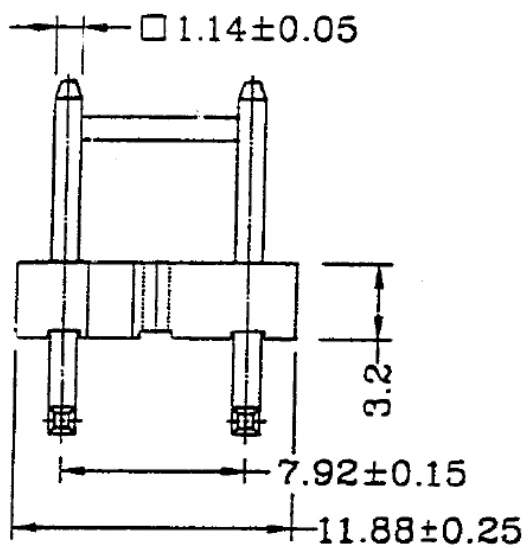


Material: Insulator: Nylon 66 UL 94V-0
 Contact: 1.14mm Tin Plated Square Pin
 D: Void 2nd Pin
 Unit quantity: 1000 Pcs/Bag



VA-R-02-LF
 LEADFREE
 RoHS Compliant

All Connectors

www.allconnectors.eu | info@allconnectors.eu
 Tel: +49 (0)711 / 358 110 20 | Fax +49 (0)711 / 358 110 25

PART NO. VA-R-02

DWG NO. VA-R-02

CHECKED BY CY

TOLERANCES ARE

DESCRIP TION:

FILE NO.

DRAWING BY

.X ± 0.2
 .XX ±
 .XXX ±
 AWG

UNIT / mm

SCALE 1:1

PROJECTION

AREA	REVISIONS	HK	DATE
------	-----------	----	------