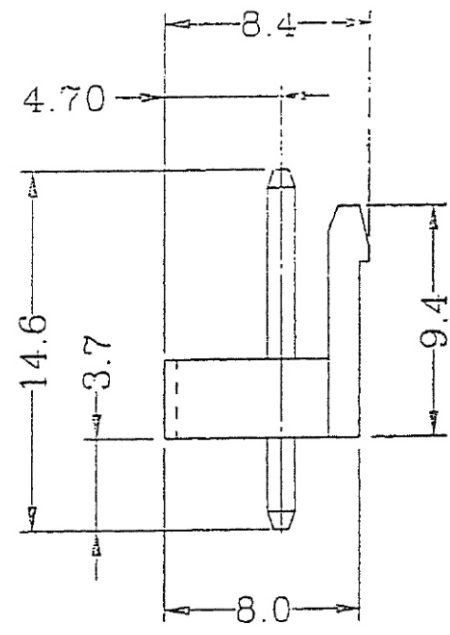
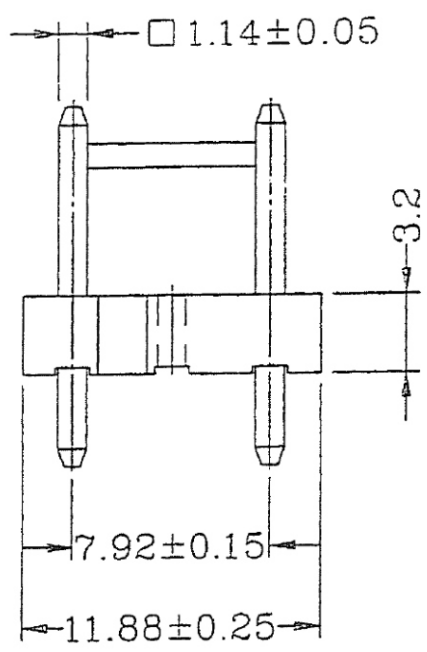


Material: Insulator: Nylon 66 UL 94V-0
 Contact: 1.14mm Tin Plated Square Pin
 D: Void 2nd Pin
 Unit quantity: 1000 Pcs/Bag

P.C.B. LAYOUT

VA-D-02-LF
 LEADFREE
 RoHS Compliant



All Connectors
 www.allconnectors.eu | info@allconnectors.eu
 Tel. +49 (0)711 / 358 110 20 | Fax +49 (0)711 / 358 110 25

PART NO. VA-D-02		CHECKED BY CY		TOLERANCES ARE .X ± 0.2 .XX ± .XXX ± AWG	DESCRIP TION:			
DWG NO. VA-D-02		DRAWING BY						
FILE NO.		PROJECTION		AREA	REVISIONS	HK	DATE	
UNIT / mm	SCALE 1:1							