

WAFER

Poles: 3-1
 Material: Post: Bass, Tin/Plated
 Base: Nylon 66, UL94V-0
 Q'ty: 1000 pcs/bag

ELECTRICAL:

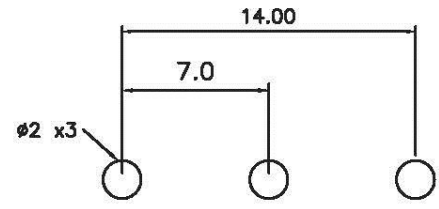
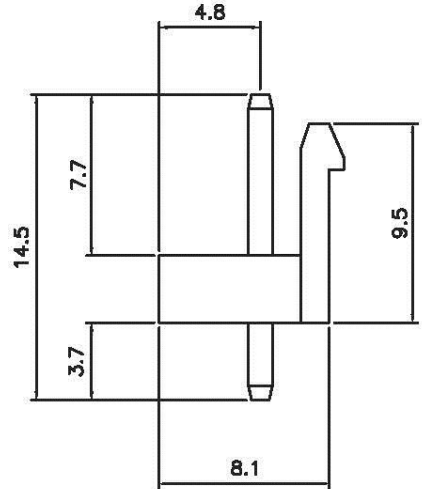
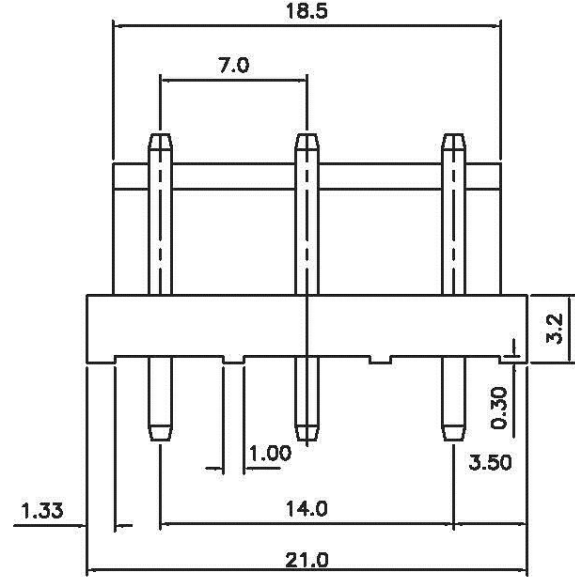
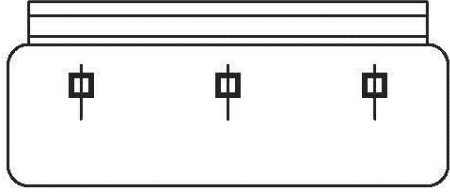
CURRENT RATING: 7.0A AC DC.
 VOTAGE RATING: 250V AC DC.
 TEMPERATURE RANGE: -25°C~+85°C.
 CONTACT RESISTANCE: 20m Ohm Max.
 INSULATION RESISTANCE: 1000 M Ohm Min.
 WITHSTANDING VOTAGE: 1500V AC/MINUTE.

可焊性規格: 245°±5°, 時間2.5±0.5Sec, 引線沾錫面積90%以上
 詳細參數見附件<RoHS零件耐焊性測試標準>.

Resistance to Soldering Heat:
 Appearance :no damage
 DIPPING TIM:10±0.5Sec. Temperature: 270±5°C
 NO DEFORMATION OF THE OUTLINE OR
 THE TERMINAL CONTACT PIN,THE ELECTRICAL
 AND MECHANICAL CHARACTERISTIC SATISFIED

詳細參數見附件<RoHS零件耐焊性測試標準>.

VH70-D-03-LF
 LEADFREE
 RoHS Compliant



P.C. B. LAYOUT

	PART NO. VH70-D-03		CHECKED BY CY TOLERANCES ARE .X±0.2 .XX± .XXX± AWG	DESCRIPTION: Pitch 7.0 Top Entry P.C.B. Connector			
	DWG NO. VH70-D-03					DRAWING BY	
www.allconnectors.de Tel: 0049 711 7009503 70794 Filzstätt - Germany		info@allconnectors.de Fax: 0049 711 7009504 Kettnerstr. 25		AREA	REVISIONS	HK	DATE
FILE NO.		DRAWING BY		UNIT / mm SCALE 1:1		PROJECTION	