

- \* Material : Nylon UL 94V-0 or 94V-2
- \* Integrally molded polarization
- \* Positive lock
- \* Integrally molded mounting ears is available on plug housing only
- \* 1,2,3,4,5,6,9,12,15 circuits available

PWL-S-xXxx-LF  
LEADFREE

RoHS Compliant

mm (inch)

Circuits	Max-Rated		Dimensional Information	
	Amps	Voltage	Plug	Receptacle
1	12A	600V		

PWL-S-1X01

PWL-S-1X02

**Allconnectors**

www.allconnectors.de  
Tel: 0049 713 4009544  
Allconnectors GmbH - Germany

Info@allconnectors.de  
Fax: 0049 713 4009544  
Karl-Liebknecht-Str. 25

PART NO. PWL-S-1Xxx

DWG NO. PWL-S-1Xxx

FILE NO.

UNIT / mm

SCALE 1:1

CHECKED BY CY

DRAWING BY

PROJECTION



TOLERANCES ARE

.X ± 0.2  
.XX ±  
.XXX ±  
AWG

DESCRIPTION:

AREA

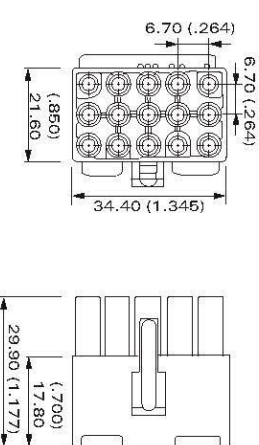
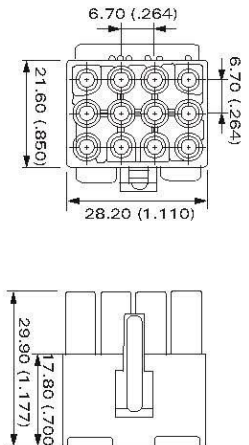
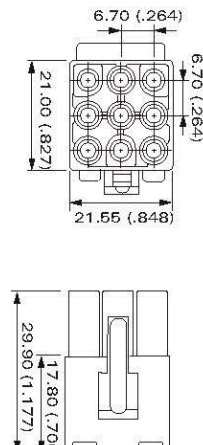
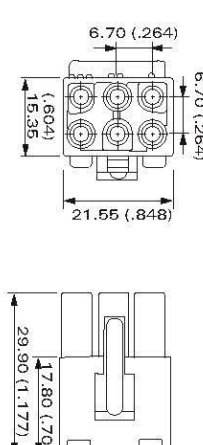
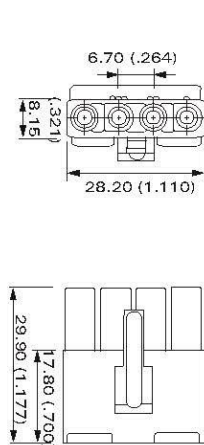
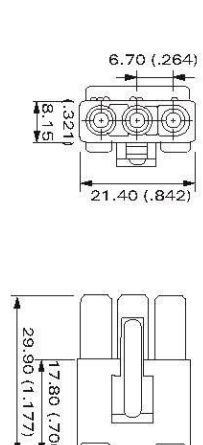
REVISIONS

HK

DATE

MATERIAL: Nylon UL 94V-2

Circuits	Max-Rated		Dimensional Information		
	Amps	Voltage	Plug		Receptacle

15	12	9	6	4	3
6A	7A	8A	9A	9A	11A
600V	600V	600V	600V	600V	600V
					

**PWL-S-3X05**

**PWL-S-3X04**

**PWL-S-3X03**

**PWL-S-2X03**

**PWL-S-1X04**

**PWL-S-1X03**

**Allconnectors**

www.allconnectors.de  
Tel.: 0649 711 7009533  
70794 Filderstadt - Germany

Info@allconnectors.de  
Fax: 0649 711 7009534  
Kettenerstr. 25

PART NO. PWL-S-xXxx

DWG NO. PWL-S-xXxx

FILE NO.

UNIT / mm

SCALE 1:1

CHECKED BY CY

DRAWING BY

PROJECTION



TOLERANCES ARE

.X ± 0.2  
.XX ±  
.XXX ±  
AWG

DESCRIPTION:

AREA

REVISIONS

HK

DATE