

- * Material : Nylon UL 94V-0 or 94V-2
- * Integrally molded polarization
- * Positive lock
- * Integrally molded mounting ears is available on plug housing only
- * 1,2,3,4,5,6,9,12,15 circuits available

PWL-S-xXxx-LF
LEADFREE

RoHS Compliant

mm (inch)

Circuits	Max-Rated		Dimensional Information	
	Amps	Voltage	Plug	Receptacle
1	12A	600V		

PWL-S-1X01

PWL-S-1X02

Allconnectors

www.allconnectors.de
Tel.: 0049 711 7009503
70794 Filderstadt - Germany

info@allconnectors.de
Fax: 0049 711 7009504
Kettnerstr. 25

PART NO. PWL-S-1Xxx

DWG NO. PWL-S-1Xxx

FILE NO.

UNIT / mm

SCALE 1:1

CHECKED BY CY

DRAWING BY

PROJECTION



TOLERANCES ARE

.X ± 0.2
.XX ±
.XXX ±
AWG

DESCRIPTION:

AREA

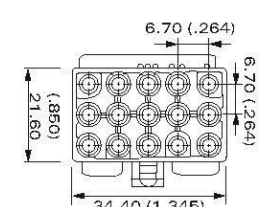
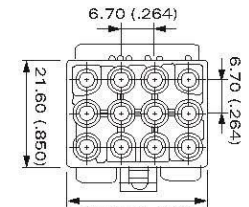
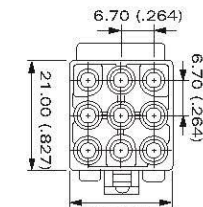
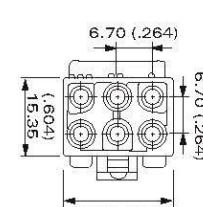
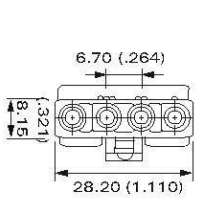
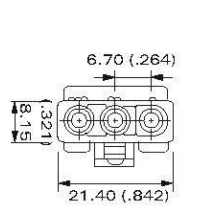
REVISIONS

HK

DATE

MATERIAL: Nylon UL 94V-2

Circuits	Max-Rated		Dimensional Information		
	Amps	Voltage	Plug		Receptacle

15	12	9	6	4	3
6A	7A	8A	9A	9A	11A
600V	600V	600V	600V	600V	600V
					

PWL-S-3X05

PWL-S-3X04

PWL-S-3X03

PWL-S-2X03

PWL-S-1X04

PWL-S-1X03

Allconnectors

www.allconnectors.de
Tel.: 0049 711 7004508
Allconnectors GmbH Germany

Info@allconnectors.de
Fax: 0049 711 7004504
Köln/Lehrte, DE

PART NO. PWL-S-xXxx

DWG NO. PWL-S-xXxx

FILE NO.

UNIT / mm

SCALE 1:1

CHECKED BY CY

DRAWING BY

PROJECTION



TOLERANCES ARE

X ± 0.2
.XX ±
.XXX ±
AWG

DESCRIPTION:

AREA

REVISIONS

HK

DATE