

**SPECIFICATIONS**

Voltage rating: 300V AC,DC

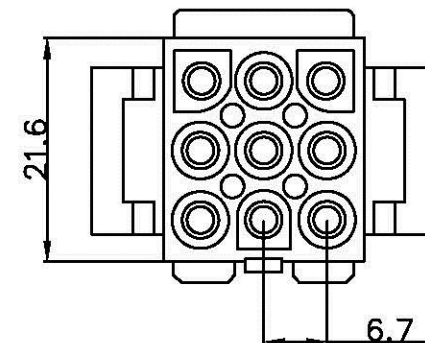
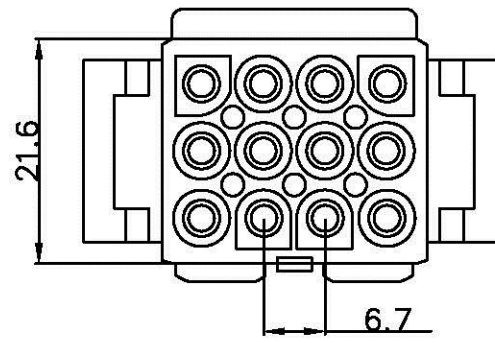
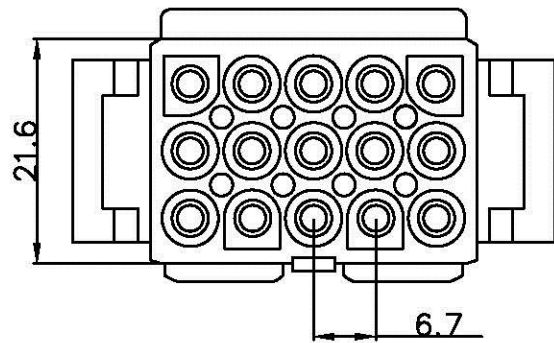
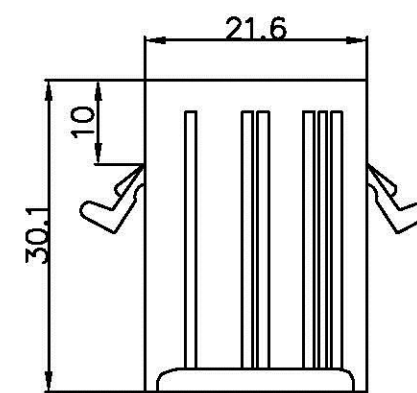
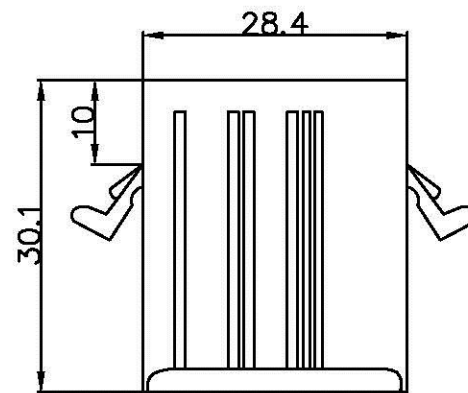
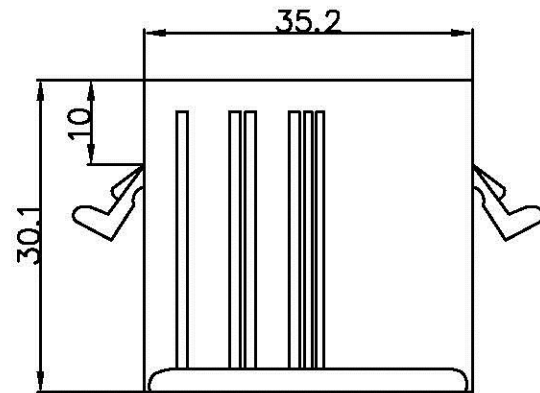
Current rating: 12A,AC,DC

Withstanding voltage: 1500V AC/minute

Insulation resistance: 1000M OHM min

Temperature range: -25°C~+85°C

Material: UL94V-2 nylon 66



PWL-PE-3X05

PWL-PE-3X04

PWL-PE-3X03

**Allconnectors**

www.allconnectors.de  
Tel.: 0049 711 7009503  
48/94 Hildesheim, Germany

info@allconnectors.de  
Fax: 0049 711 7002504  
Königsplatz 25

PART NO. PWL-PE-3Xxx

DWG NO. PWL-PE-3Xxx

FILE NO.

UNIT / mm

SCALE 1:1

CHECKED BY CY

DRAWING BY

PROJECTION



TOLERANCES ARE

.X±0.2

.XX±

.XXX±

AWG

DESCRIPTION:

AREA

REVISIONS

HK

DATE