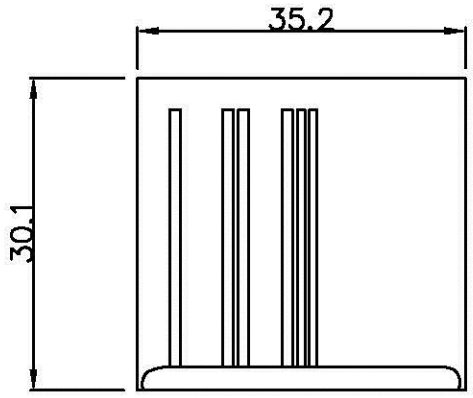
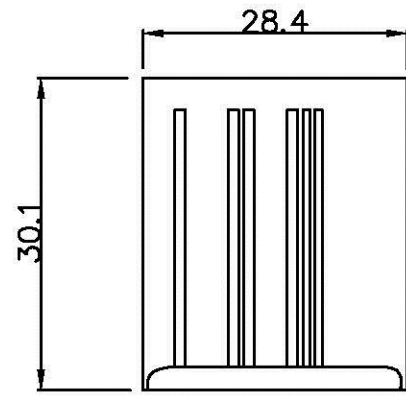


**SPECIFICATIONS**

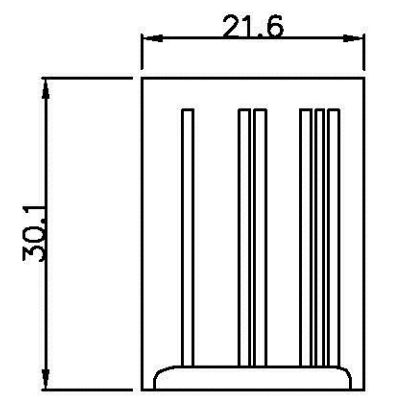
Voltage rating: 300V AC,DC  
 Current rating: 12A,AC,DC  
 Withstanding voltage: 1500V AC/minute  
 Insulation resistance: 1000M OHM min  
 Temperature range: -25°C~+85°C  
 Material: UL94V-2 nylon 66



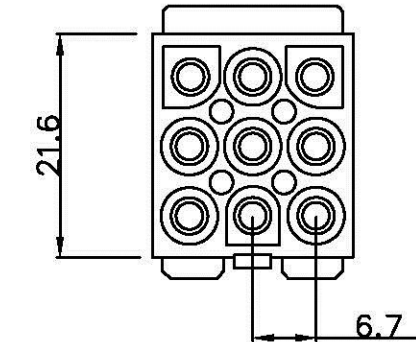
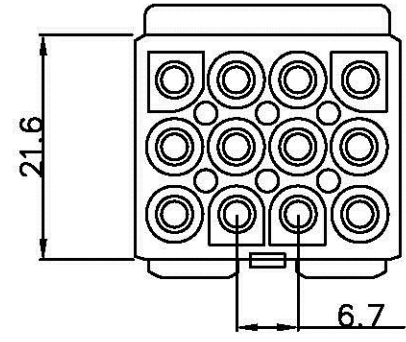
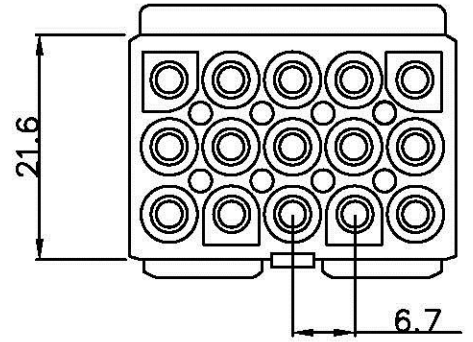
PWL-P-3X05



PWL-P-3X04



PWL-P-3X03



**Allconnectors**  
 www.allconnectors.de  
 Tel.: 0049 711 7005503  
 70794 Filddersstadt, Germany

Info@allconnectors.de  
 Fax: 0049 711 7009504  
 Kottbomstr. 25

PART NO. PWL-P-3Xxx		CHECKED BY CY		TOLERANCES ARE .X±0.2 .XX± XXX± AWG	DESCRIP TION:			
DWG NO. PWL-P-3Xxx		DRAWING BY						
FILE NO.		PROJECTION		AREA	REVISIONS	HK	DATE	
UNIT / mm	SCALE 1:1							