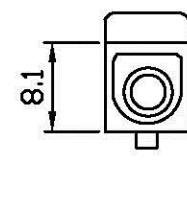
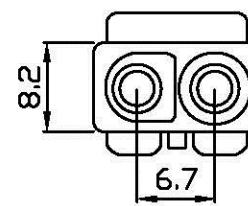
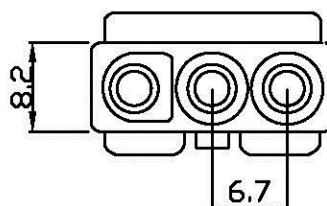
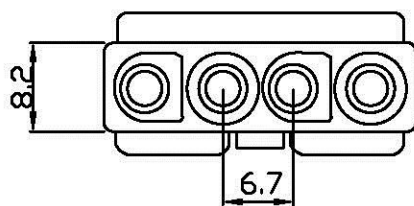
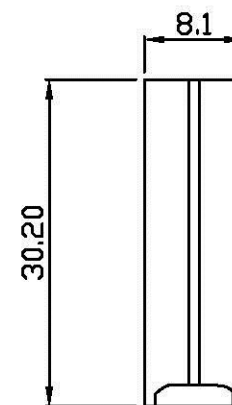
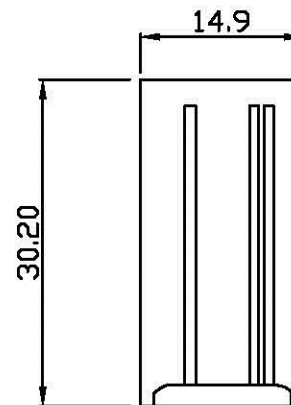
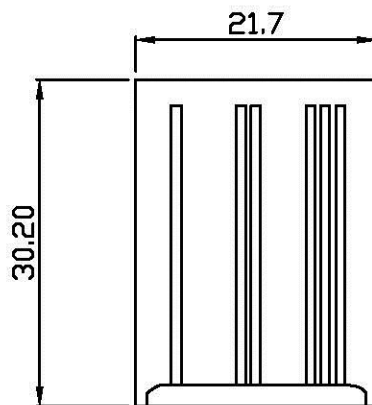
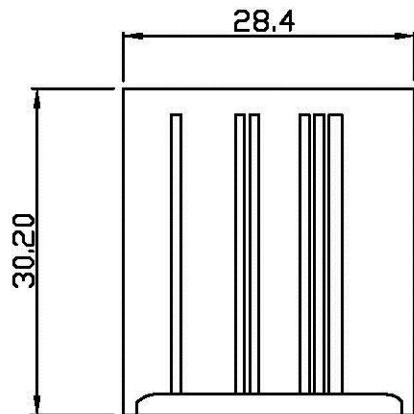


PWL-P-1Xxx-LF
LEADFREE

RoHS Compliant

SPECIFICATIONS
 Voltage rating:300V AC,DC
 Current rating:12A,AC,DC
 Withstanding voltage:1500V AC/minute
 Insulation resistance:1000M OHM min
 Temperature range:-25°C~+85°C
 Material:UL94V-2 nylon 66



PWL-P-1X04

PWL-P-1X03

PWL-P-1X02

PWL-P-1X01

Allconnectors

www.allconnectors.de
 Tel.: 0049 711 709503
 70751 Hilderstätt - Germany

info@allconnectors.de
 Fax: 0049 711 709504
 Ketteimerstr. 20

PART NO. PWL-P-1Xxx

DWG NO. PWL-P-1Xxx

FILE NO.

UNIT / mm

SCALE 1:1

CHECKED BY CY

DRAWING BY

PROJECTION

TOLERANCES ARE

.X±0.2
 .XX±
 .XXX±
 AWG

DESCRIPTION:

AREA REVISIONS HK DATE

焯倫股份有限公司