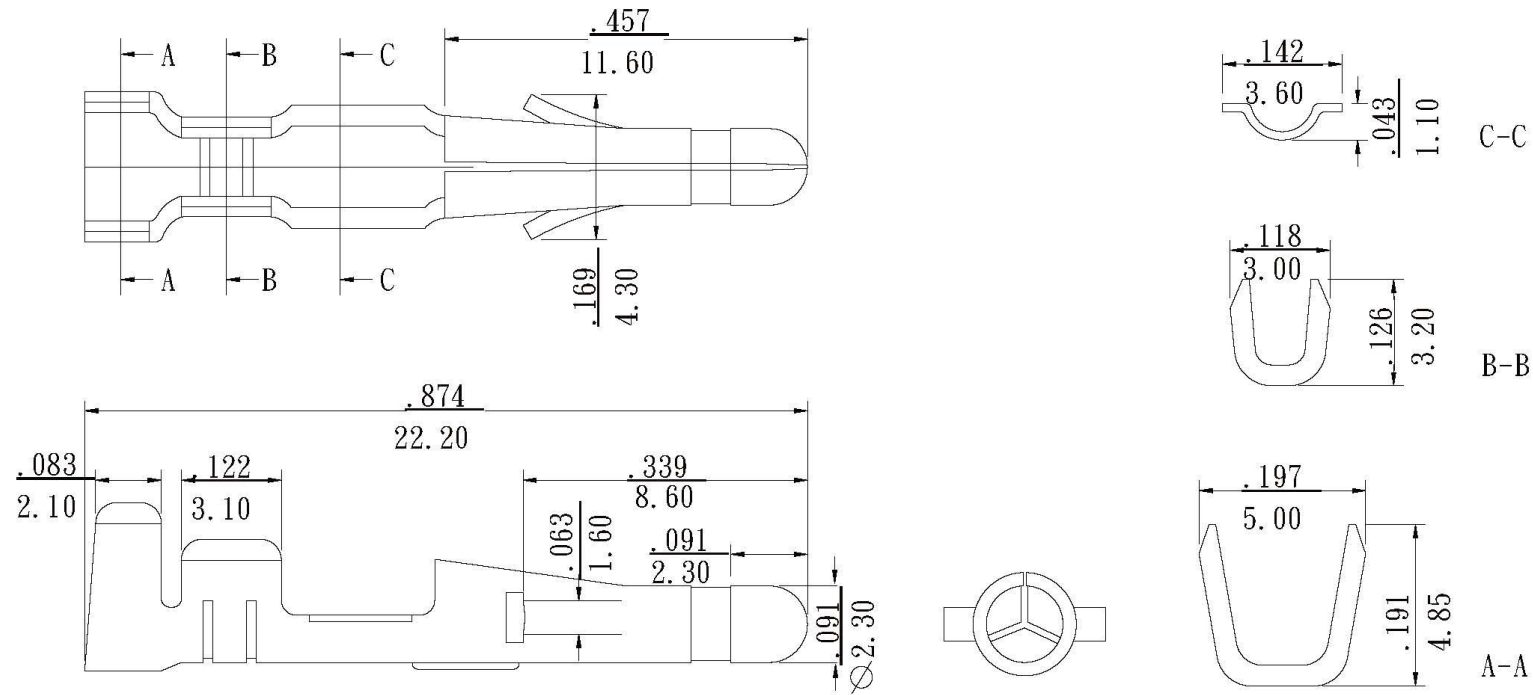


* Material : Brass



inch
mm

Part No.	Wire Range	Package
PWL-M-14	AWG#14-#20	4000PCS/REEL
PWL-M-20	AWG#20-#24	5000PCS/REEL

All Connectors

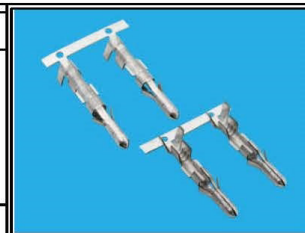
www.allconnectors.de info@allconnectors.de
Tel.: 0049 711 7009503 Fax: 0049 711 7009504
70794 Filderstadt - Germany Kettnerstr. 25

RoHS Compliant

DRAWING BY CY
CHECKED BY GENIUS
UNIT / mm SCALE 1 : 1
DATE
SIZE A4

TOLERANCES ARE

X ±
X ±
.XX ±
.XXX ±
ANG ±



ORDER INFORMATION

PWL-M-xx-LF
SERIES | LEADFREE
14:14~20AWG
20:20~24AWG
MALE TERMINAL

DESCRIPTION: