

SPECIFICATIONS

Voltage rating: 300V AC,DC

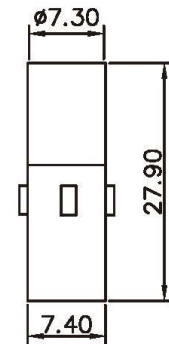
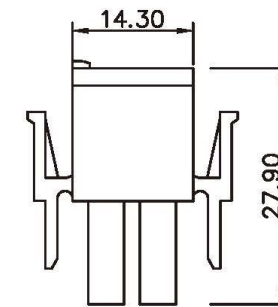
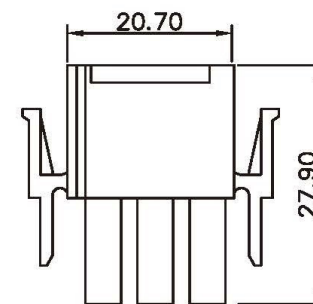
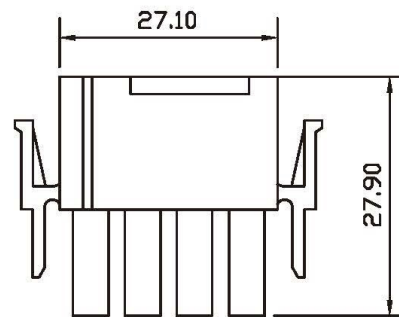
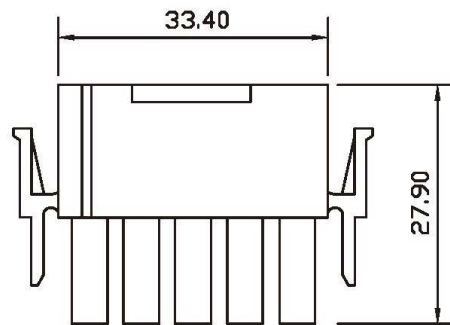
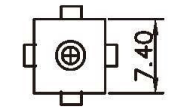
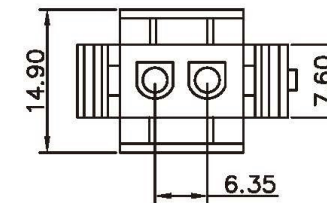
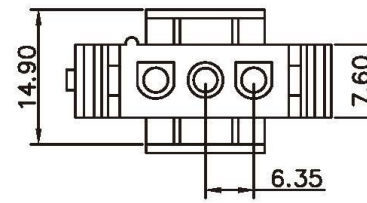
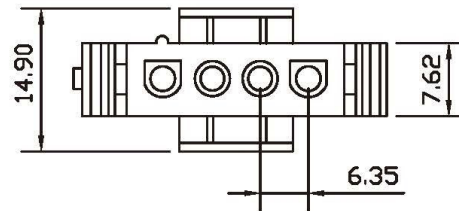
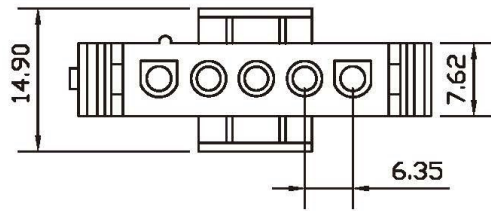
Current rating: 12A AC,DC

Withstanding voltage: 1500V AC/minute

Insulation resistance: 1000M Ω min

Temperature range: -25°C~+90°C

Material: UL94V-2 nylon 66



UL-S-1X05

UL-S-1X04

UL-S-1X03

UL-S-1X02

UL-S-1X01

All Connectors

www.allconnectors.de info@allconnectors.de
Tel.: 0049 711 7009503 Fax: 0049 711 7009504
70794 Filderstadt - Germany Kettnerstr. 25

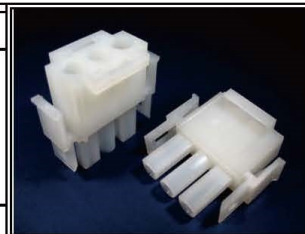
RoHS Compliant

TOLERANCES ARE

DRAWING BY CY
CHECKED BY GENIUS
UNIT/mm SCALE 1:1
DATE
SIZE A4

X ±
X ±
.XX ±
.XXX ±
ANG ±

PROJECTION



ORDER INFORMATION

UL-S-1Xxx-LF
SERIES | 1X01:01WAY | LEADFREE
| 1X05:05WAY
FEMALE HOUSING

DESCRIPTION: