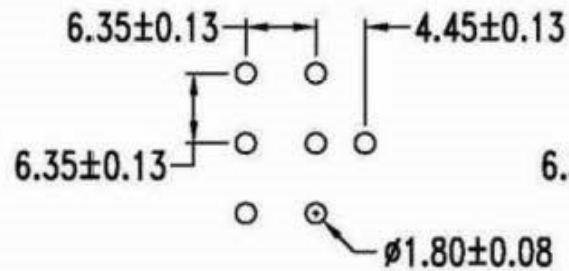
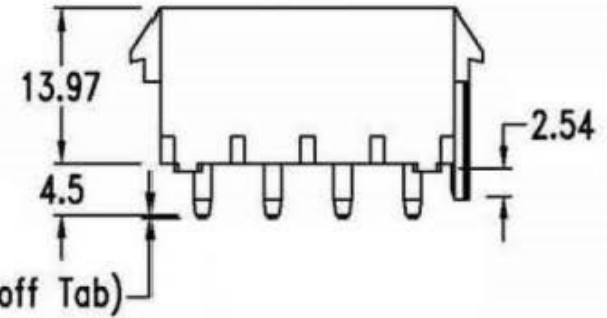
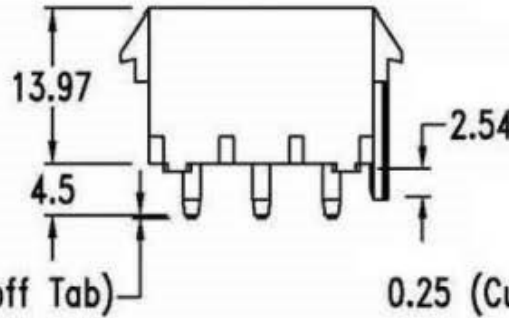
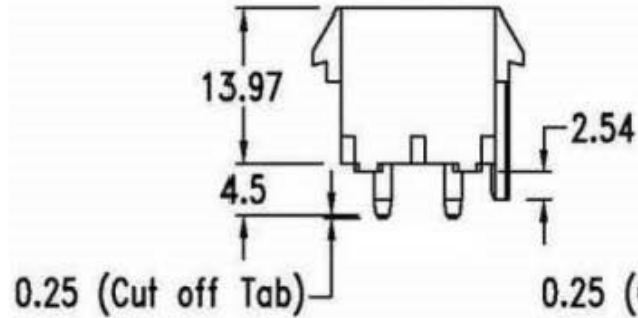
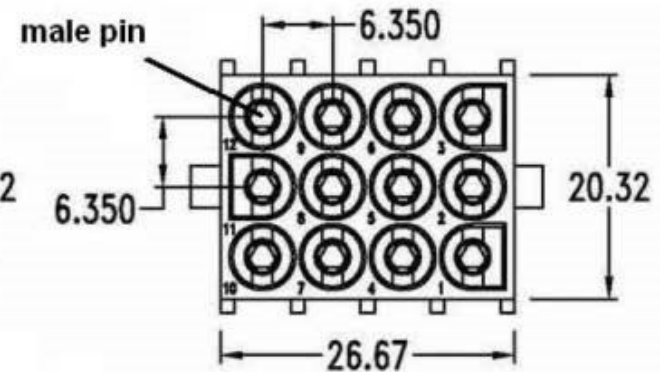
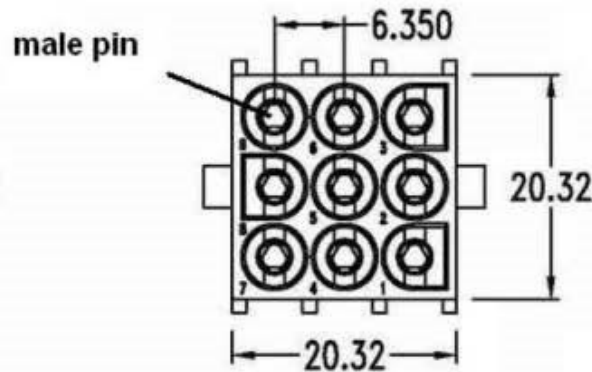
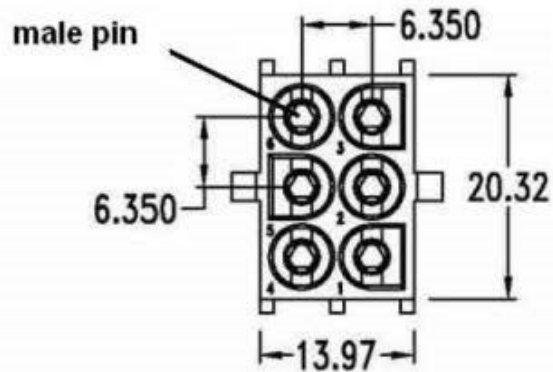


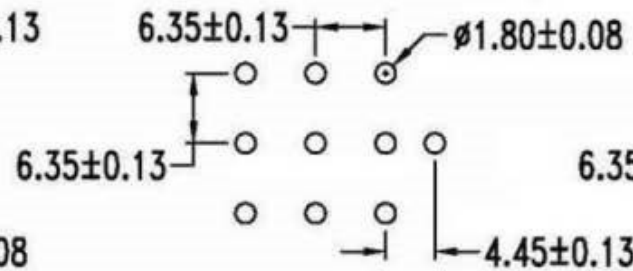
UL-PDP-3X02

UL-PDP-3X03

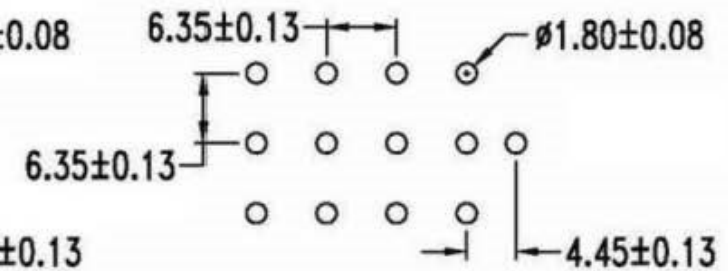
UL-PDP-3X04



P. C. board layout



P. C. board layout



P. C. board layout

All Connectors

www.allconnectors.com
 17820094 (UL PDP3X02)
 www.allconnectors.com

PART NO. UL-PDP-3Xxx

DWG NO. UL-PDP-3Xxx

FILE NO.

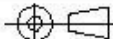
UNIT / mm

SCALE 1:1

CHECKED BY CY

DRAWING BY

PROJECTION



TOLERANCES ARE

X ± 0.2
 .XX ±
 .XXX ±
 AWG

DESCRIPTION:

AREA

REVISIONS

HK

DATE

UL-PDP-3X05

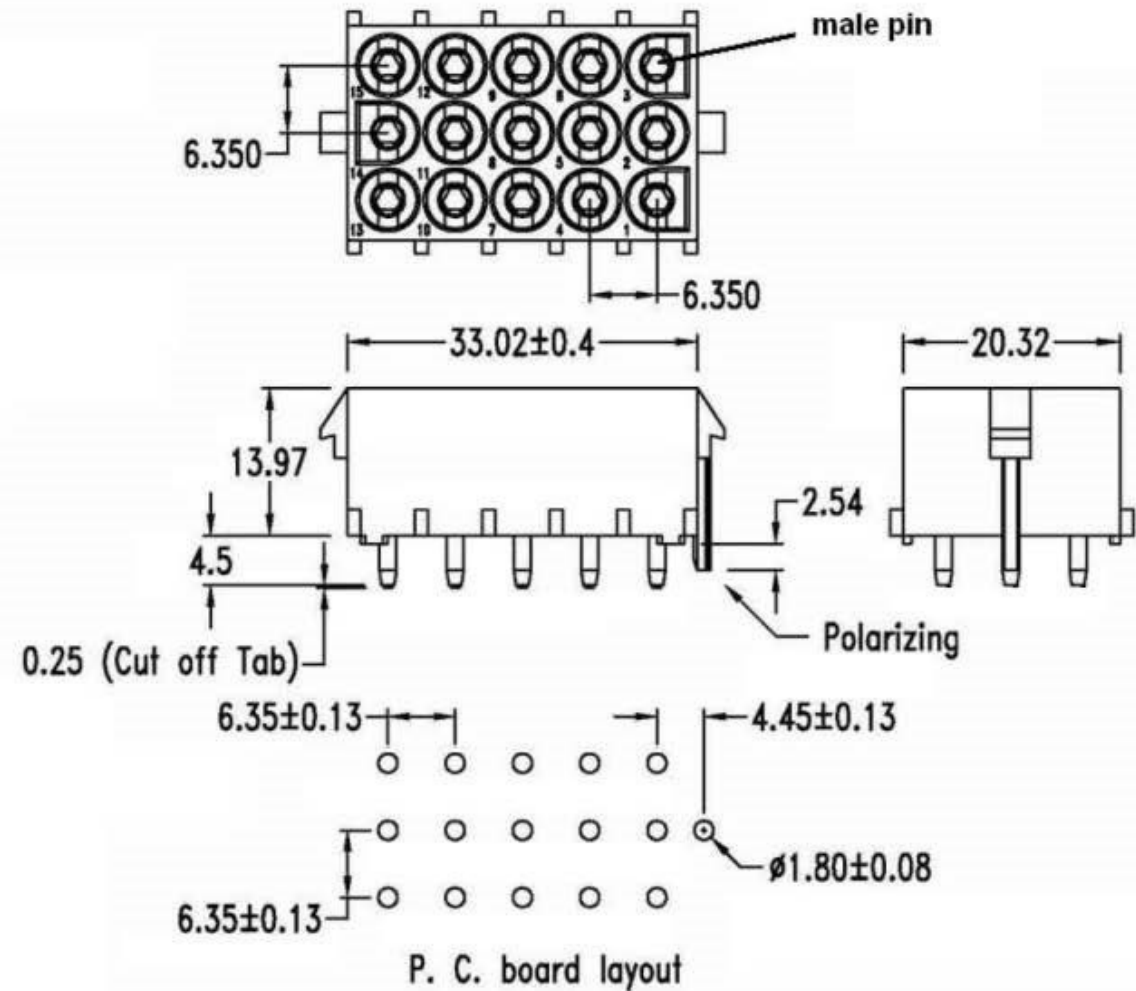
Features:

- 2 ~ 10, 12, 15 circuits available
- Pin Material: Tin-plated phosphor bronze
- Standard Color: Nature

Specification:

- Current rating: 13A (2~4P), 11A (6~15P)
- Voltage rating: 600V
- Dielectric withstanding voltage: 5000V AC/minute
- Ambient temperature rise: -55°C ~ 105°C

UL-PDP-3Xxx-LF
LEADFREE
RoHS Compliant



All Connectors

PART NO. UL-PDP-3Xxx

DWG NO. UL-PDP-3Xxx

FILE NO.

UNIT / mm

SCALE 1:1

CHECKED BY CY

DRAWING BY

PROJECTION



TOLERANCES ARE

X ± 0.2
XX ±
XXX ±
AWG

DESCRIPTION:

AREA

REVISIONS

HK

DATE