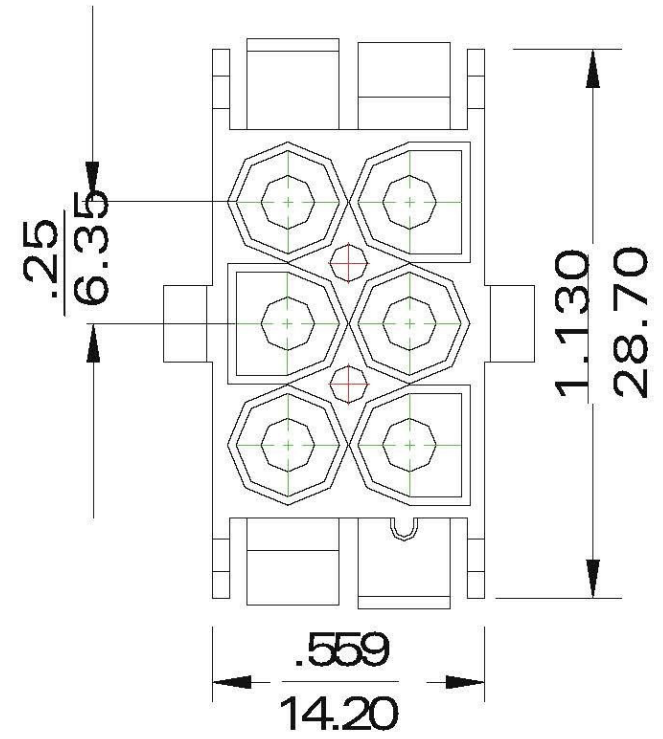
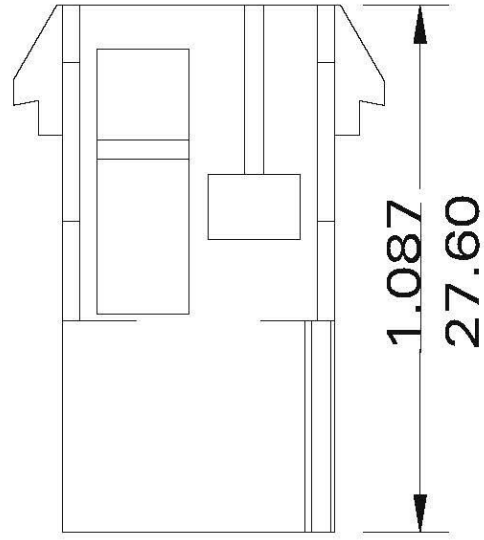


Circuits	Max-Rated		
	Amps	Voltage	
6	10A	#14	600V
	8A	#16	
	6A	#18	



UL-P-3X02-LF
LEADFREE

RoHS Compliant

Allconnectors
www.allconnectors.de
Tel: 0049 711 200500
20794 Eidelstedt - Germany

PART NO. UL-P-3X02

DWG NO. UL-P-3X02

CHECKED BY CY

TOLERANCES ARE

DESCRIPTION:

FILE NO.

DRAWING BY

.X ± 0.2
.XX ±
.XXX ±
AWG

AREA REVISIONS HK DATE

UNIT / mm

SCALE 1:1

PROJECTION

J
I
H
G
F
E
D
C
B
A

1 2 3 4 5 6 7 8 9 0

- * Material : Nylon , UL94V-2
- * Standard color : nature
- * Integrally molded polarization
- * Friction lock

UL-P-3Xxx-LF
 |
LEADFREE

RoHS Compliant

Voltage	600V			600V			600V		
Amps	#14	#16	#18	#14	#16	#18	#14	#16	#18
	10A	8A	6A	10A	8A	6A	10A	8A	6A
Partno	UL-P-3X03			UL-P-3X04			UL-P-3X05		

Allconnectors

www.allconnectors.de
 Tel.: 0049 711 7003003
 70794 Filderstadt - Germany

info@allconnectors.de
 Fax: 0049 711 7003004
 Kollmerstr. 25

PART NO. UL-P-3Xxx

DWG NO. UL-P-3Xxx

FILE NO.

UNIT / mm

SCALE 1:1

CHECKED BY CY

DRAWING BY

PROJECTION



TOLERANCES ARE

.X ± 0.2
 .XX ±
 .XXX ±
 AWG

DESCRIPTION:

AREA

REVISIONS

HK

DATE