

C6351 SERIES

6.35mm pitch wire to wire and wire to board connector

C6351WW-F-3-M

6.35mm pitch 180° Triple Row Wafer Polarizing Peg-Male Type

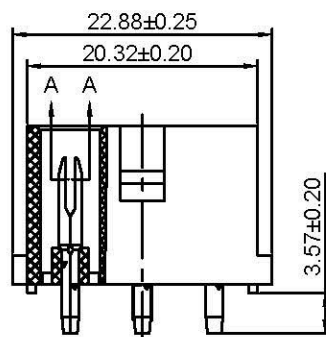
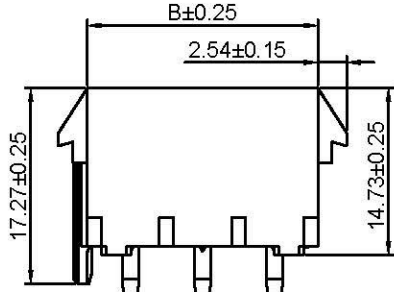
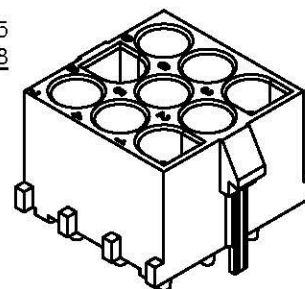
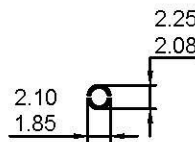
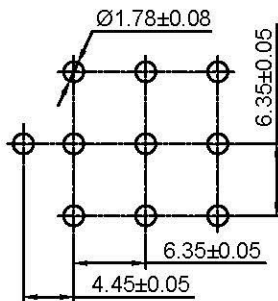
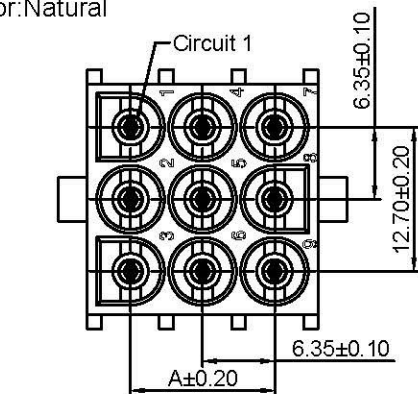
Reference Informations:

- *Material: Pin: Brass/Tin over Nickel
Insulator: Nylon 66, UL94V-2 or UL94V-0
- *Mates with C6351HF series triple row Housing
- *Color: Natural

Ordering Information:

C6351WW-F-3xXP-M - **
1 2

1. Part No.
2. Material:
(blank): UL94V-2 / Natural
V0: UL94V-0 / White



Ordering Information & Dimensions:

PART NO.	Dimensions	
	A	B
C6351WW-F-3X2P-M	6.35	13.97
C6351WW-F-3X3P-M	12.70	20.32
C6351WW-F-3X4P-M	19.05	26.67
C6351WW-F-3X5P-M	25.40	33.02

Unit: mm

C6351WW-F-3-F

6.35mm pitch 180° Triple Row Wafer with Polarizing Peg-Female Type

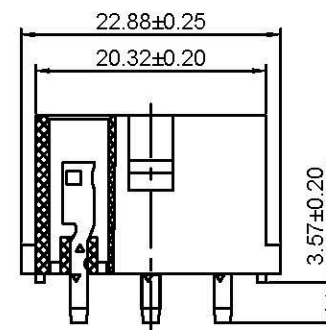
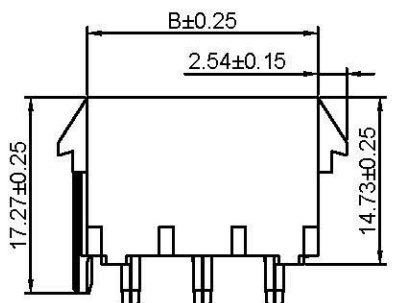
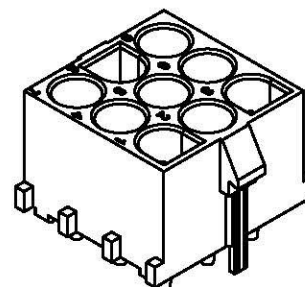
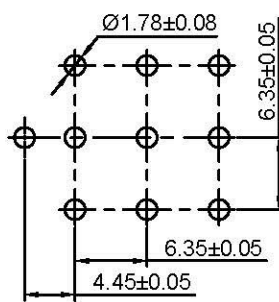
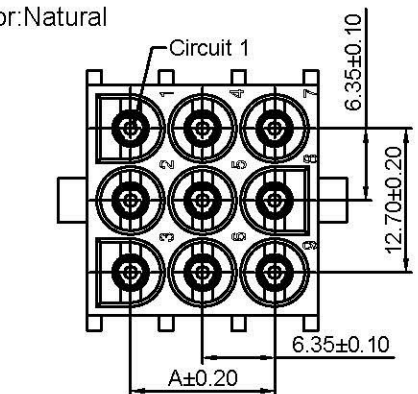
Reference Informations:

- *Material: Pin: Brass/Tin over Nickel
Insulator: Nylon 66, UL94V-2 or UL94V-0
- *Mates with CJT C6351HF series triple row Housing
- *Color: Natural

Ordering Information:

C6351WW-F-3xXP-F - **
1 2

1. Part No.
2. Material:
(blank): UL94V-2 / Natural
V0: UL94V-0 / White



Ordering Information & Dimensions:

PART NO.	Dimensions	
	A	B
C6351WW-F-3X2P-F	6.35	13.97
C6351WW-F-3X3P-F	12.70	20.32
C6351WW-F-3X4P-F	19.05	26.67
C6351WW-F-3X5P-F	25.40	33.02

Unit: mm