

# C6351 SERIES

6.35mm pitch wire to wire and wire to board connector

## C6351WW-3-F

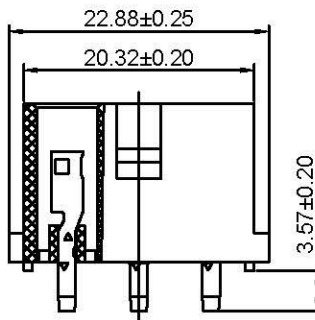
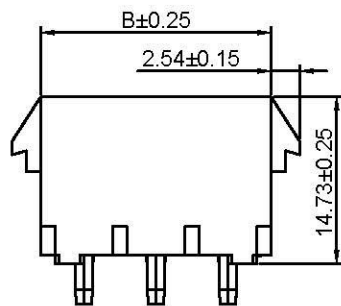
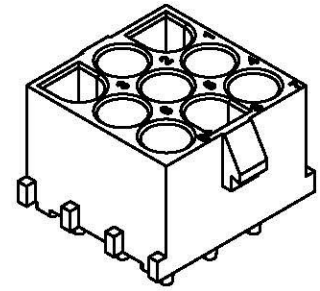
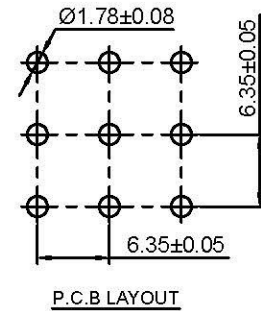
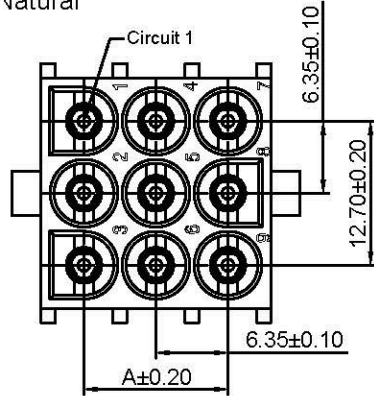
6.35mm pitch 180° Triple Row Wafer-Female Type

### Reference Informations:

- \*Material: Pin: Brass/Tin over Nickel  
Insulator: Nylon 66, UL94V-2 or UL94V-0
- \*Mates with C6351HF series triple row Housing
- \*Color: Natural

### Ordering Information:

- C6351WW-3xXP-F - \*\*  
1 2
1. Part No.
  2. Material:  
(blank): UL94V-2 / Natural  
V0: UL94V-0 / White



### Ordering Information & Dimensions:

PART NO.	Dimensions	
	A	B
C6351WW-3X2P-F	6.35	13.97
C6351WW-3X3P-F	12.70	20.32
C6351WW-3X4P-F	19.05	26.67
C6351WW-3X5P-F	25.40	33.02

Unit: mm

## C6351WW-3-R

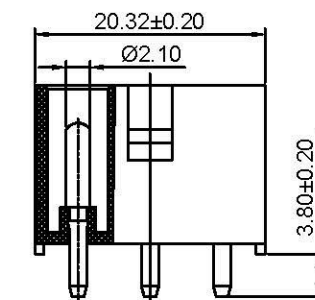
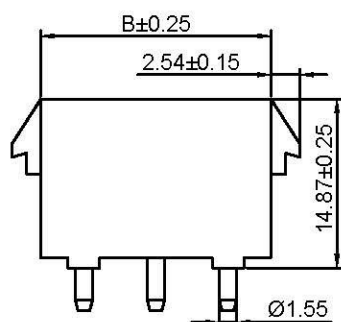
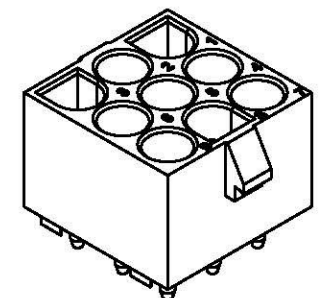
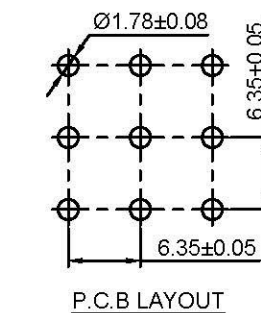
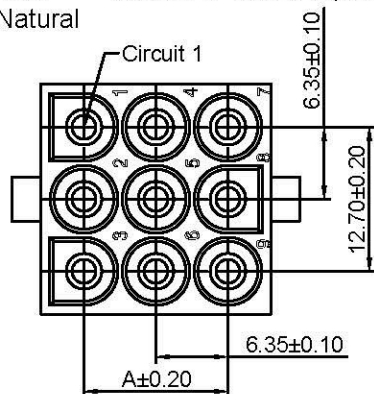
6.35mm pitch 180° Triple Row Wafer, Round Pin-Male Type

### Reference Informations:

- \*Material: Pin: Brass/Silver over Nickel  
Insulator: Nylon 66, UL94V-2 or UL94V-0
- \*Mates with C6351HF series triple row Housing
- \*Color: Natural

### Ordering Information:

- C6351WW-3xXP-R - \*\*  
1 2
1. Part No.
  2. Material:  
(blank): UL94V-2 / Natural  
V0: UL94V-0 / White



### Ordering Information & Dimensions:

PART NO.	Dimensions	
	A	B
C6351WW-3X2P-R	6.35	13.97
C6351WW-3X3P-R	12.70	20.32
C6351WW-3X4P-R	19.05	26.67
C6351WW-3X5P-R	25.40	33.02

Unit: mm