

# C6351 SERIES

6.35mm pitch wire to wire and wire to board connector

## C6351WR-M

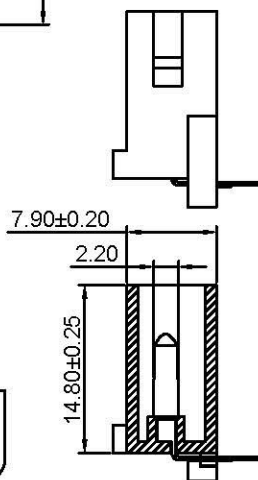
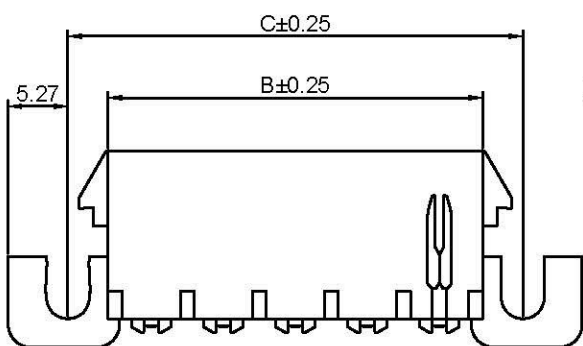
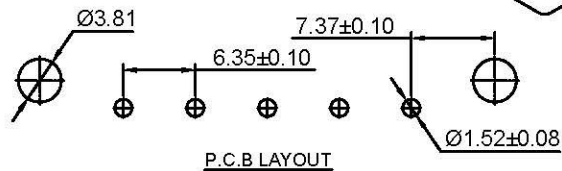
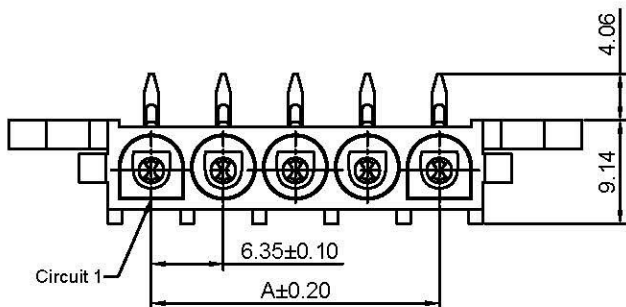
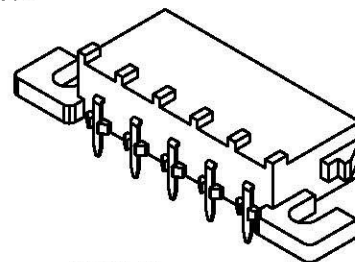
6.35mm Pitch 90° Single Row Wafer-Male Type

### Reference Informations:

- \*Material: Pin: Brass/Tin over Nickel  
Insulator: Nylon 66, UL94V-2 or UL94V-0
- \*Mates with C6351HF series single row Housing
- \*Color: Natural

### Ordering Information:

- C6351WR-XP-M - \*\*  
1 2
1. Part No.
  2. Material:  
(blank): UL94V-2 / Natural  
V0: UL94V-0 / White



### Ordering Information & Dimensions:

PART NO.	Dimensions		
	A	B	C
C6351WR-2P-M	6.35	13.97	21.08
C6351WR-3P-M	12.70	20.32	27.43
C6351WR-4P-M	19.05	26.67	33.78
C6351WR-5P-M	25.40	33.02	40.13
C6351WR-6P-M	31.75	39.37	46.48
C6351WR-7P-M	38.10	45.72	52.83
C6351WR-8P-M	44.45	52.07	59.18
C6351WR-9P-M	50.80	58.42	65.53
C6351WR-10P-M	57.15	64.77	71.88

Unit: mm

## C6351WR-F

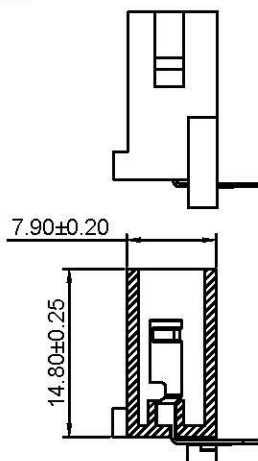
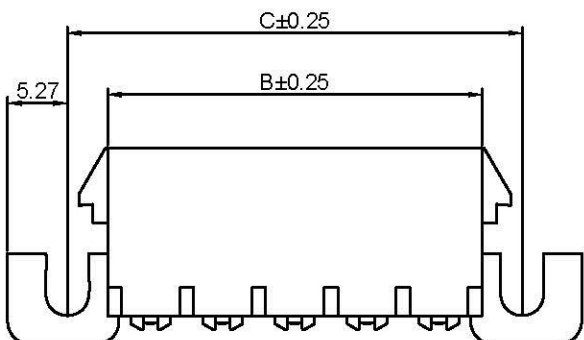
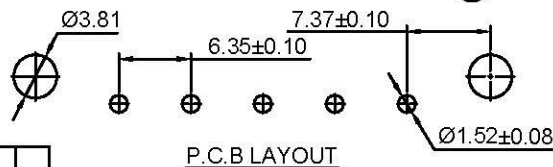
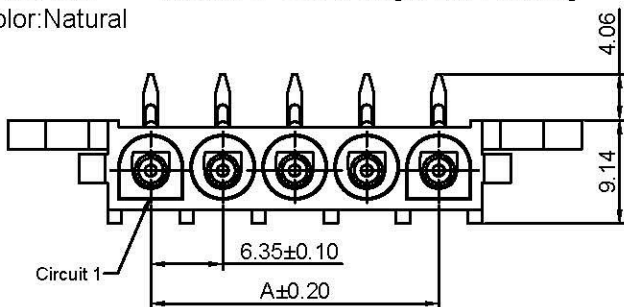
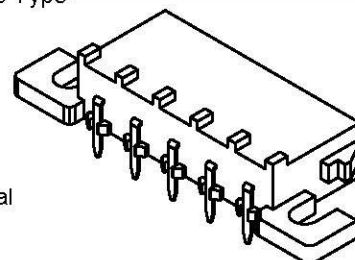
6.35mm Pitch 90° Single Row Wafer-Female Type

### Reference Informations:

- \*Material: Pin: Brass/Tin over Nickel  
Insulator: Nylon 66, UL94V-2 or UL94V-0
- \*Mates with C6351HF series single row Housing
- \*Color: Natural

### Ordering Information:

- C6351WR-XP-F - \*\*  
1 2
1. Part No.
  2. Material:  
(blank): UL94V-2 / Natural  
V0: UL94V-0 / White



### Ordering Information & Dimensions:

PART NO.	Dimensions		
	A	B	C
C6351WR-2P-F	6.35	13.97	21.08
C6351WR-3P-F	12.70	20.32	27.43
C6351WR-4P-F	19.05	26.67	33.78
C6351WR-5P-F	25.40	33.02	40.13
C6351WR-6P-F	31.75	39.37	46.48
C6351WR-7P-F	38.10	45.72	52.83
C6351WR-8P-F	44.45	52.07	59.18
C6351WR-9P-F	50.80	58.42	65.53
C6351WR-10P-F	57.15	64.77	71.88

Unit: mm