

C6351 SERIES

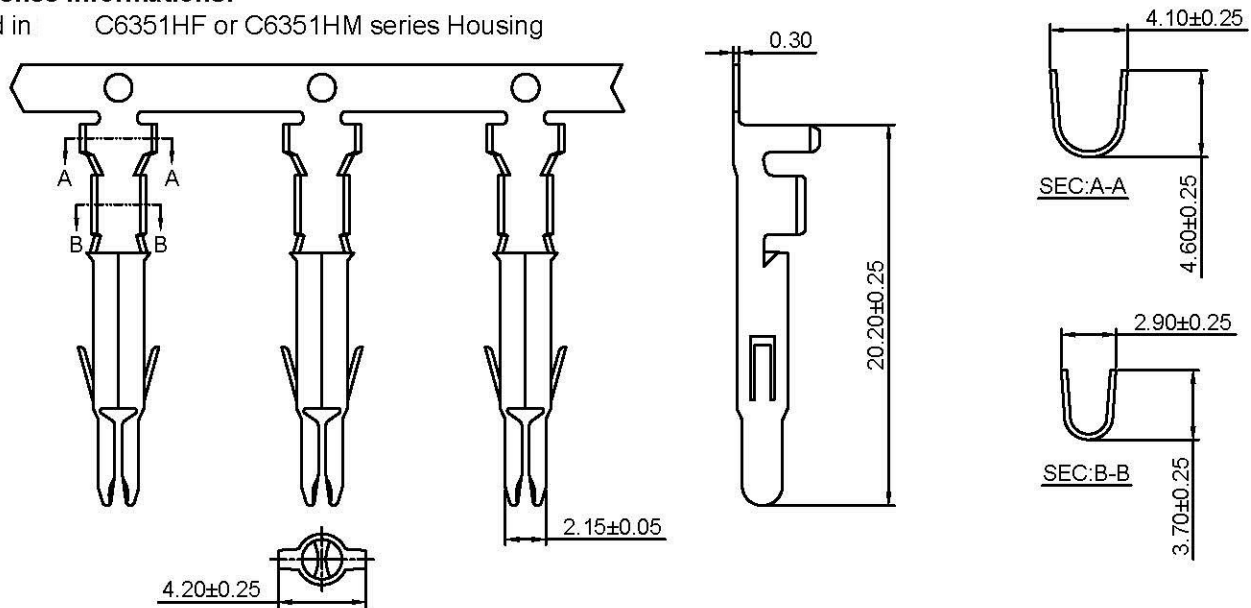
6.35mm pitch wire to wire and wire to board connector

C6351MA-T

6.35mm pitch Crimp Terminal

Reference Informations:

*Used in C6351HF or C6351HM series Housing



Ordering information & Specifications:

Unit:mm

Part NO.	Wire Range	Insulation O.D.	Material	Finish	Qty/reel
C6351MA-TB	AWG#16-#20	3.30mm(max)	Brass	Tin over Nickel	5,000 PCS
C6351MA-TP	AWG#16-#20	3.30mm(max)	Phosphor Bronze	Tin over Nickel	5,000 PCS
C6351MA-GB	AWG#16-#20	3.30mm(max)	Brass	Gold over Nickel	5,000 PCS
C6351MA-GP	AWG#16-#20	3.30mm(max)	Phosphor Bronze	Gold over Nickel	5,000 PCS

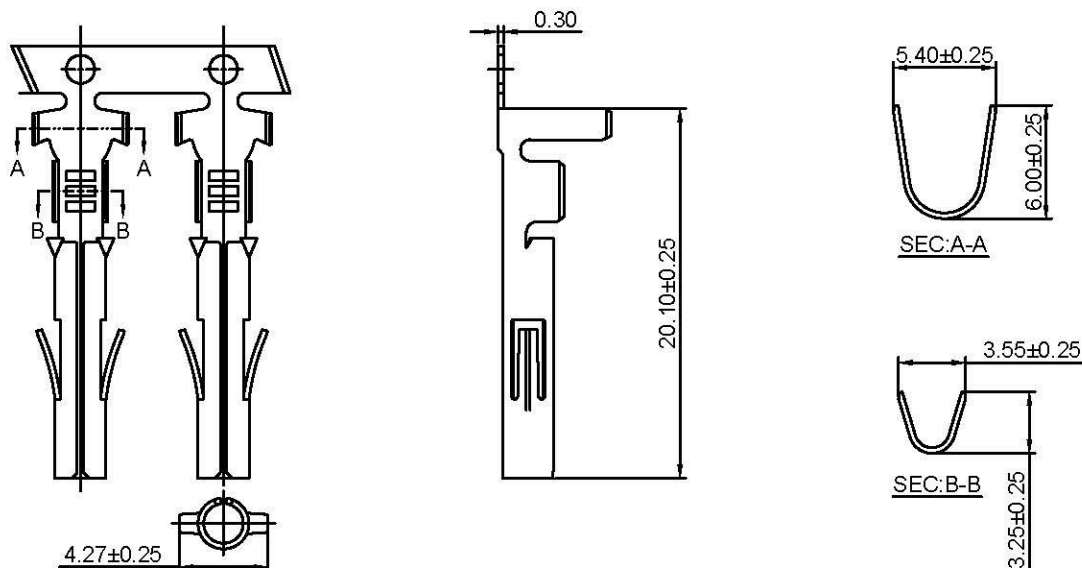
Optional Gold plating available but MOQ requested

C6351F-T-H

6.35mm pitch Crimp Terminal

Reference Informations:

*Used in C6351HF or C6351HM series Housing



Ordering information & Specifications:

Unit:mm

Part NO.	Wire Range	Insulation O.D.	Material	Finish	Qty/reel
C6351F-TB-H	AWG#12-#14	4.30mm(max)	Brass	Tin over Nickel	2,500 PCS
C6351F-TP-H	AWG#12-#14	4.30mm(max)	Phosphor Bronze	Tin over Nickel	2,500 PCS
C6351F-GB-H	AWG#12-#14	4.30mm(max)	Brass	Gold over Nickel	2,500 PCS
C6351F-GP-H	AWG#12-#14	4.30mm(max)	Phosphor Bronze	Gold over Nickel	2,500 PCS

Optional Gold plating available but MOQ requested