

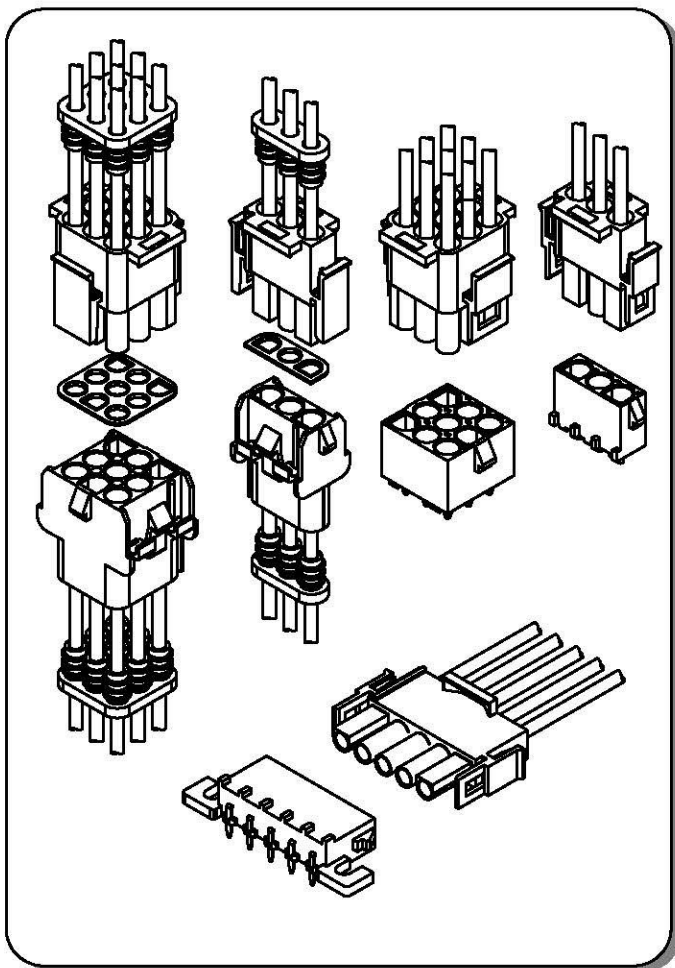
C6351 SERIES

6.35mm pitch wire to wire and wire to board connector

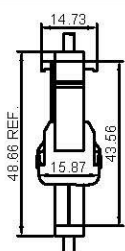
Specifications

- Current rating: 19A AC, DC
- Voltage rating: 600V AC, DC
- Temperature range: -40°C ~ +105°C
- Contact resistance: 3.5mΩ Max.
- Insulation resistance: 1000MΩ Min.
- Withstanding voltage: 5000V AC/minute
- *Compliant with RoHS and REACH*
- *Meet the HF/Halogen Free, GW/Glow wire (IEC60335-1) request, need to customize*
- *Contact for details*

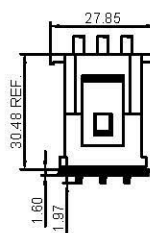
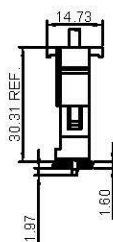
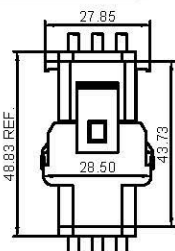
Standards



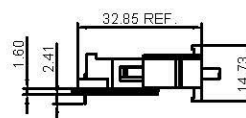
Assembly layout



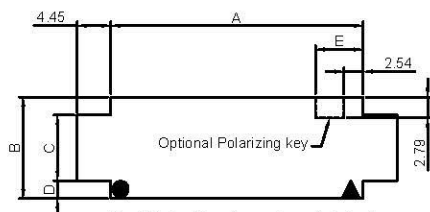
wire to wire



wire to board



Panel hole layout



- ▲ Circuit 1 location when using polarizing key option with 2,3,4,5,6,7,8,9,10 circuit housing
- option with 3X2,3X3,3X4,3X5 circuit housing

PART NO.	Dimensions				
	A	B	C	D	E
C6351HM-2P	14.35	13.46	8.64	2.41	6.35
C6351HM-3P	20.70	13.46	8.64	2.41	6.35
C6351HM-4P	27.05	13.46	8.64	2.41	6.35
C6351HM-5P	33.40	13.46	8.64	2.41	6.35
C6351HM-6P	39.75	13.46	8.64	2.41	6.35
C6351HM-7P	46.10	13.46	8.64	2.41	6.35
C6351HM-8P	52.45	13.46	8.64	2.41	6.35
C6351HM-9P	58.80	13.46	8.64	2.41	6.35
C6351HM-10P	65.15	13.46	8.64	2.41	6.35
C6351HM-3X2P	14.35	26.16	12.19	6.99	6.35
C6351HM-3X3P	20.70	26.16	12.19	6.99	6.35
C6351HM-3X4P	27.05	26.16	12.19	6.99	8.89
C6351HM-3X5P	33.40	26.16	12.19	6.99	8.89

Unit:mm

C6351 SERIES

6.35mm pitch wire to wire and wire to board connector

C6351H

6.35mm pitch Single Row Housing

Reference Informations:

- *Material: Nylon 66, UL94V-2 or UL94V-0
- *Suitable C6351F or C6351M series Terminal
- *Mates with C6351 series Single row Housing or C6351 series Single row Wafer
- *Color: Natural

Ordering Information:

C6351HF<HFA>-XP - **

1 2

1. Part No.

2. Material:

(blank): UL94V-2/Natural

V0: UL94V-0/White

Ordering Information:

C6351HM-XP - **

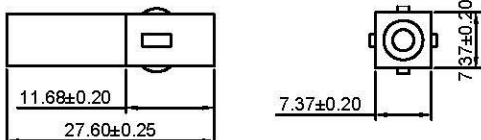

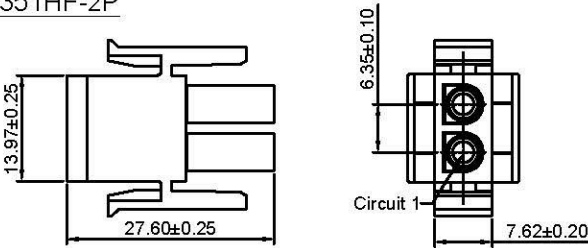
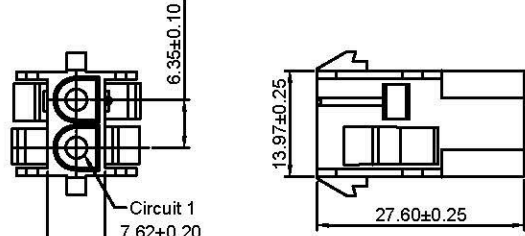
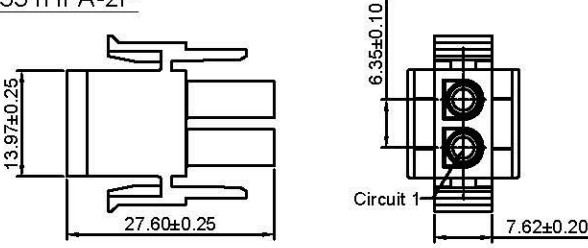
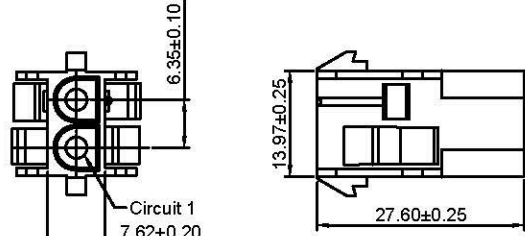
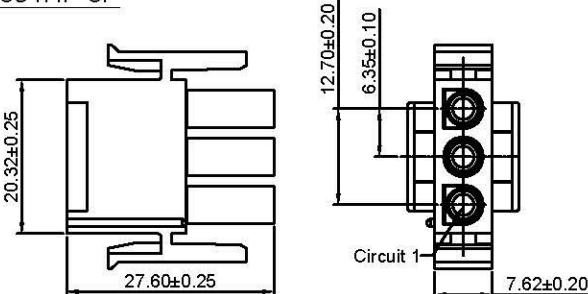
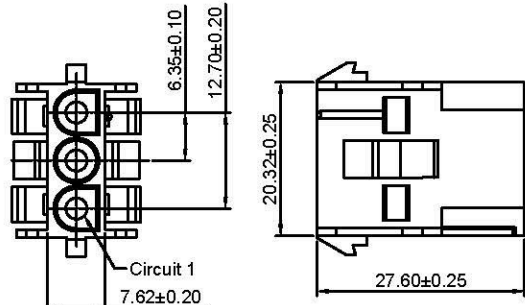
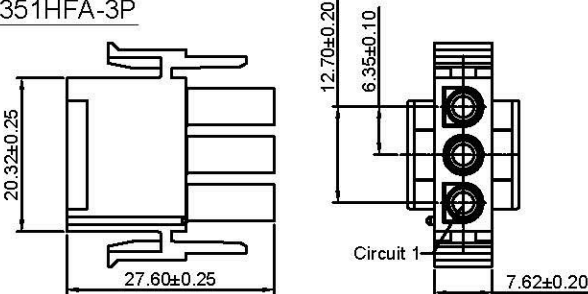
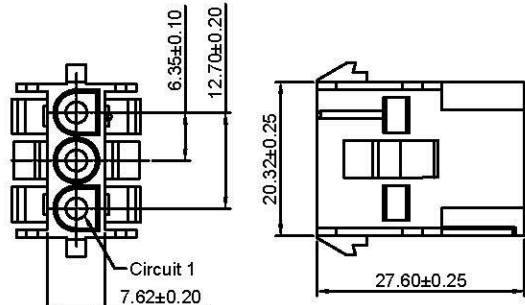
1 2

1. Part No.

2. Material:

(blank): UL94V-2/Natural

V0: UL94V-0/White

C6351HF<HFA>	C6351HM
<p>C6351HF-1P</p> 	<p>C6351HM-1P</p> 
<p>C6351HF-2P</p> 	<p>C6351HM-2P</p> 
<p>C6351HFA-2P</p> 	<p>C6351HM-2P</p> 
<p>C6351HF-3P</p> 	<p>C6351HM-3P</p> 
<p>C6351HFA-3P</p> 	<p>C6351HM-3P</p> 

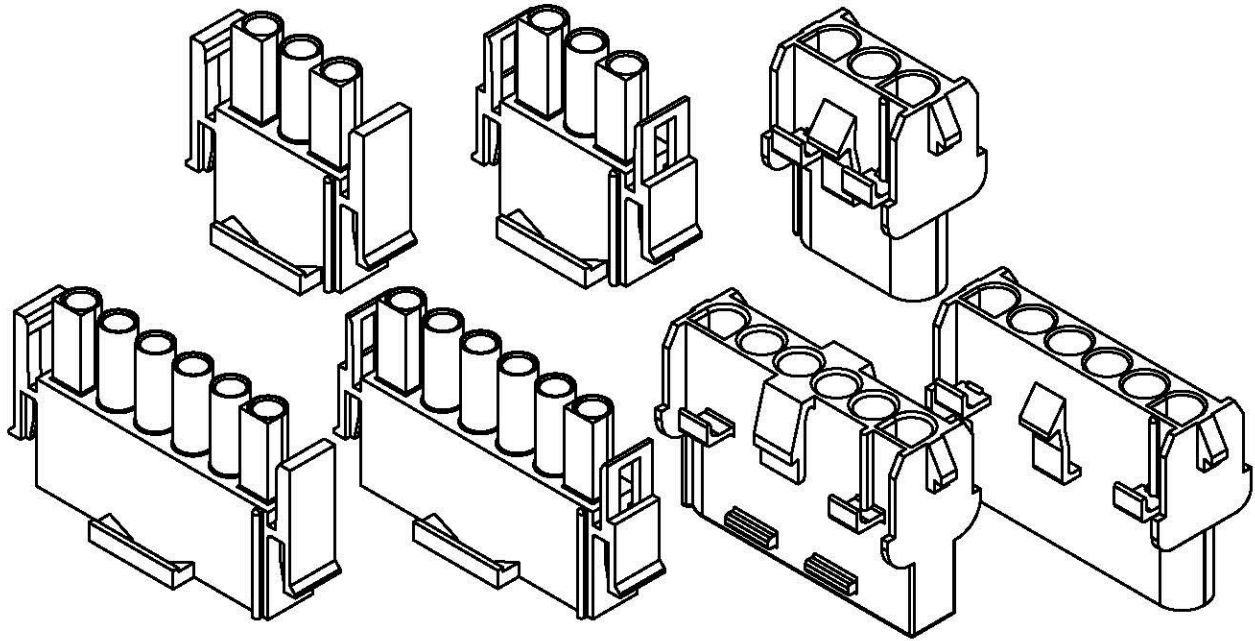
C6351 SERIES

6.35mm pitch wire to wire and wire to board connector

C6351HF<HFA>	C6351HM
<p>C6351HF-4P</p> <p>26.67±0.25</p> <p>27.60±0.25</p> <p>6.35±0.10</p> <p>19.05±0.20</p> <p>Circuit 1</p> <p>7.62±0.20</p>	<p>C6351HM-4P</p> <p>6.35±0.10</p> <p>19.05±0.20</p> <p>Circuit 1</p> <p>7.62±0.20</p> <p>26.67±0.25</p> <p>27.60±0.25</p>
<p>C6351HFA-4P</p> <p>26.67±0.25</p> <p>27.60±0.25</p> <p>6.35±0.10</p> <p>19.05±0.20</p> <p>Circuit 1</p> <p>7.62±0.20</p>	<p>C6351HM-5P</p> <p>6.35±0.10</p> <p>25.40±0.20</p> <p>Circuit 1</p> <p>7.62±0.20</p> <p>33.20±0.25</p> <p>27.60±0.25</p>
<p>C6351HF-5P</p> <p>33.20±0.25</p> <p>27.60±0.25</p> <p>6.35±0.10</p> <p>25.40±0.20</p> <p>Circuit 1</p> <p>7.62±0.20</p>	<p>C6351HFA-5P</p> <p>33.20±0.25</p> <p>27.60±0.25</p> <p>6.35±0.10</p> <p>25.40±0.20</p> <p>Circuit 1</p> <p>7.62±0.20</p>

C6351 SERIES

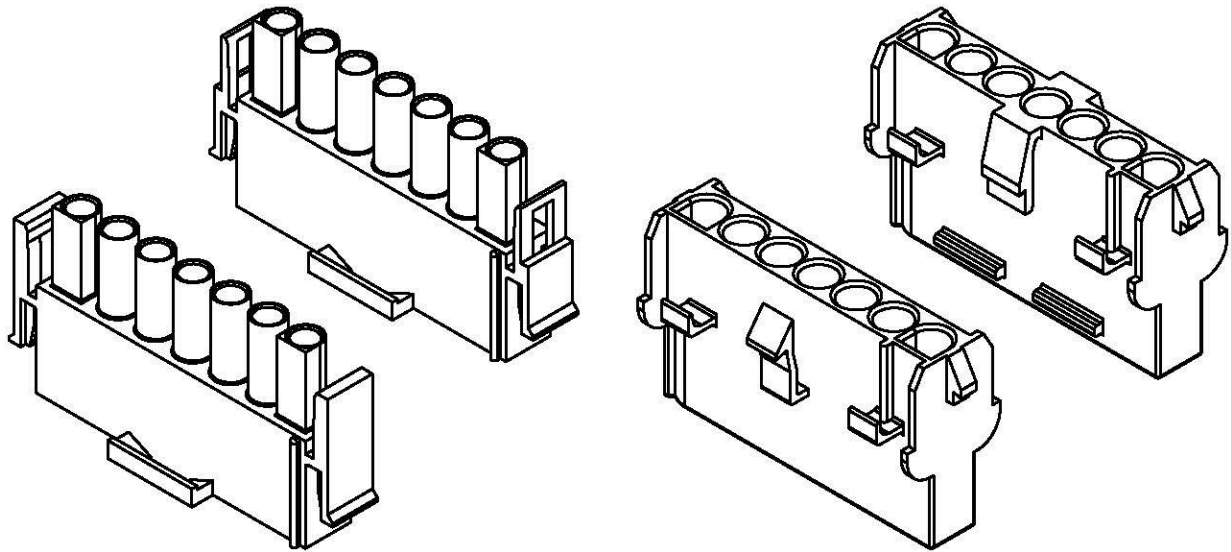
6.35mm pitch wire to wire and wire to board connector

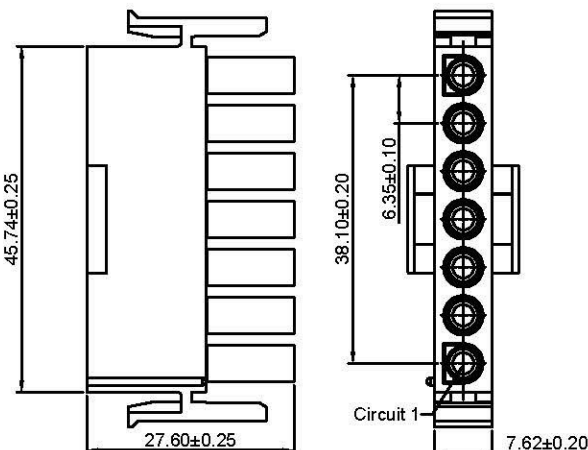
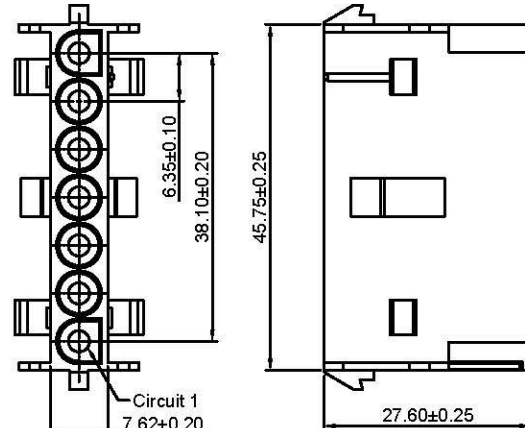
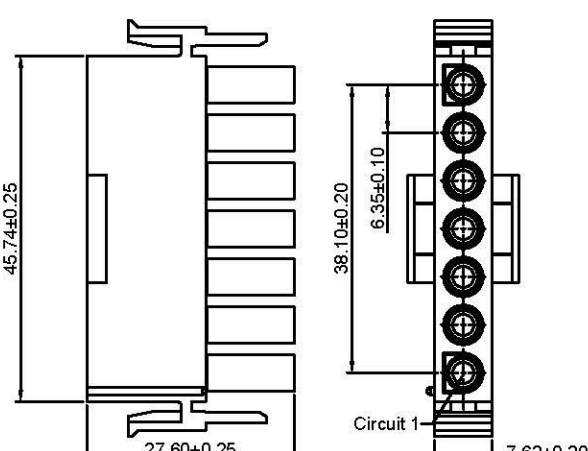
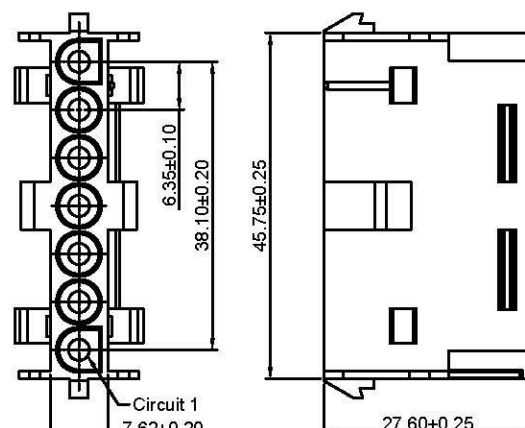


C6351HF<HFA>	C6351HM<HMA>
<p data-bbox="124 976 277 1003"><u>C6351HF-6P</u></p>	<p data-bbox="826 976 979 1003"><u>C6351HM-6P</u></p>
<p data-bbox="124 1525 293 1552"><u>C6351HFA-6P</u></p>	<p data-bbox="826 1525 995 1552"><u>C6351HMA-6P</u></p>

C6351 SERIES

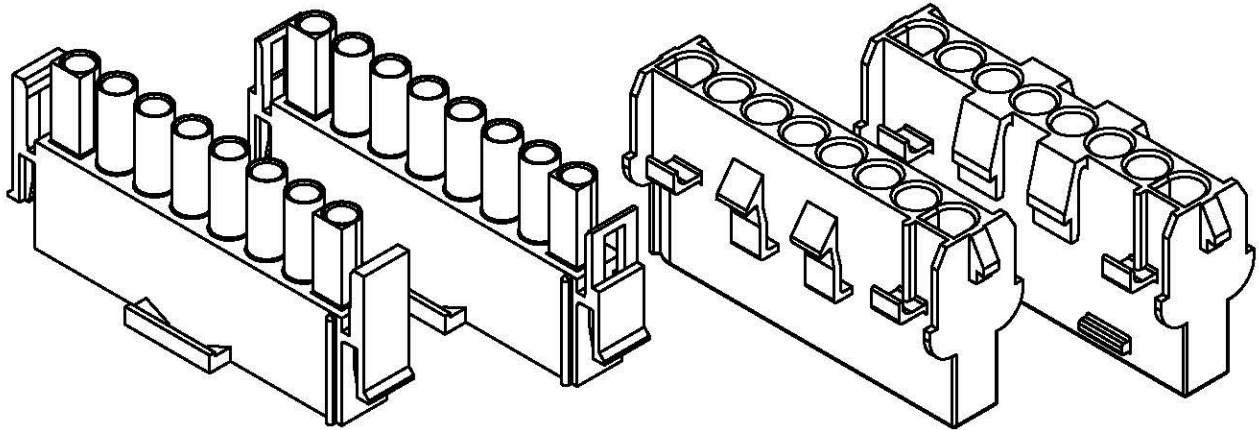
6.35mm pitch wire to wire and wire to board connector



C6351HF<HFA>	C6351HM<HMA>
<p data-bbox="124 891 279 920">C6351HF-7P</p> 	<p data-bbox="826 891 981 920">C6351HM-7P</p> 
<p data-bbox="124 1480 295 1509">C6351HFA-7P</p> 	<p data-bbox="826 1480 997 1509">C6351HMA-7P</p> 

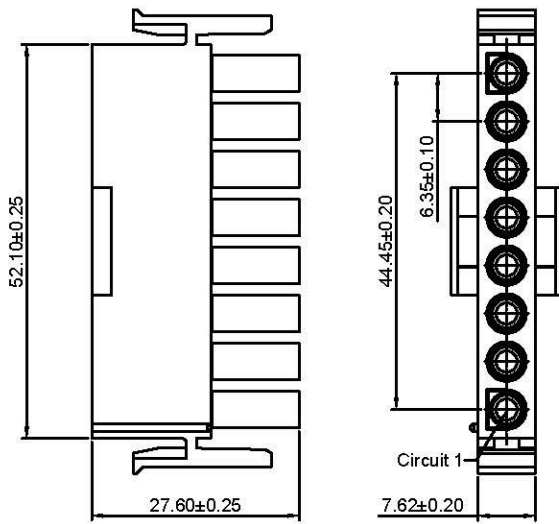
C6351 SERIES

6.35mm pitch wire to wire and wire to board connector



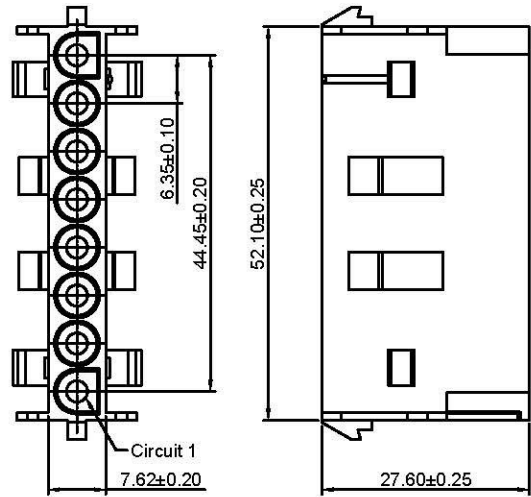
C6351HF<HFA>

C6351HF-8P

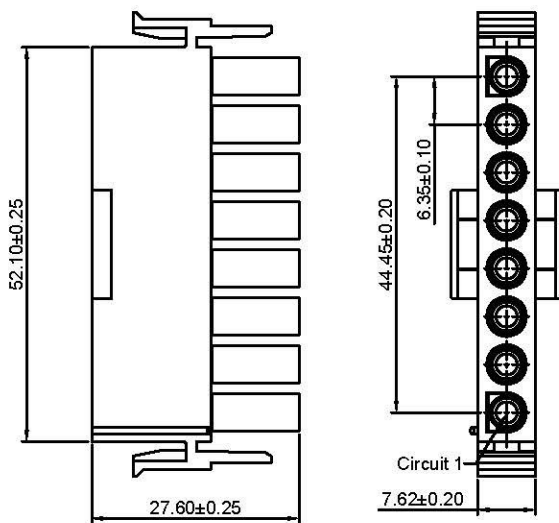


C6351HM<HMA>

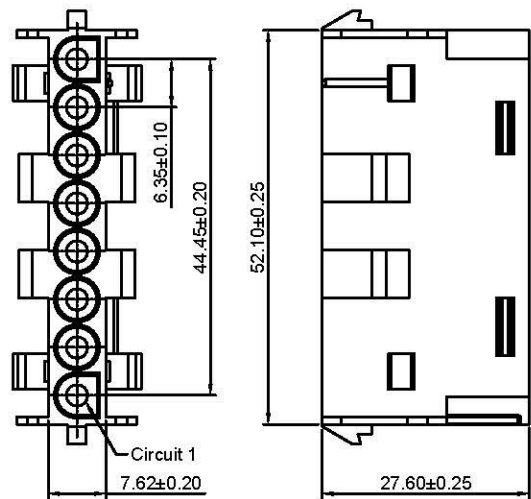
C6351HM-8P



C6351HFA-8P

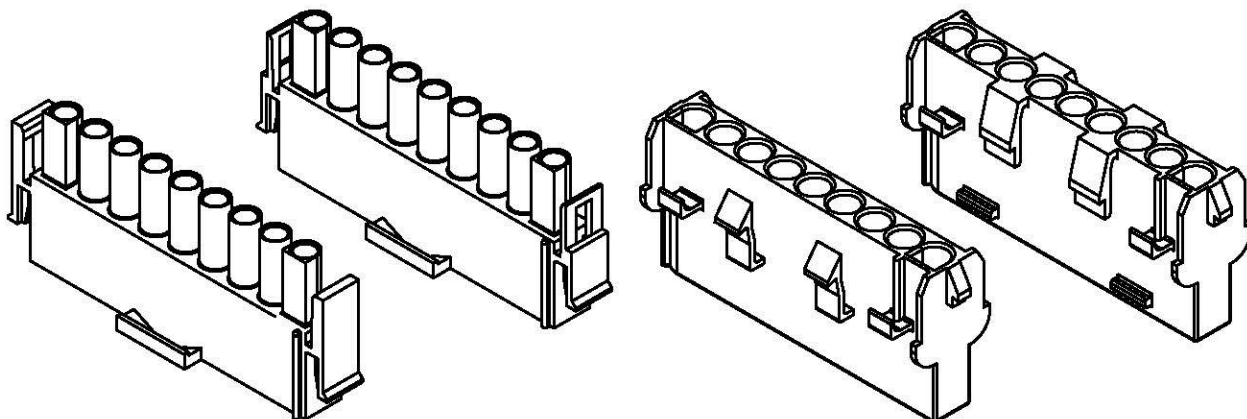


C6351HMA-8P



C6351 SERIES

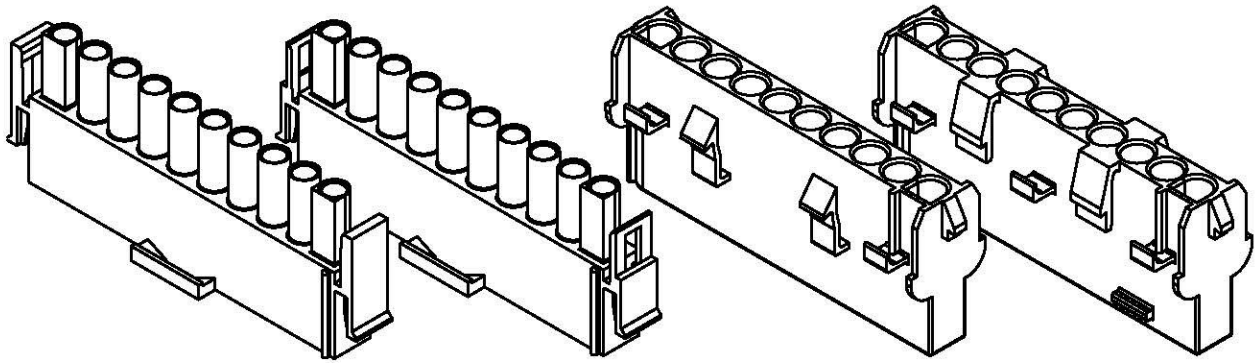
6.35mm pitch wire to wire and wire to board connector



C6351HF<HFA>	C6351HM<HMA>
<p data-bbox="124 745 279 775">C6351HF-9P</p>	<p data-bbox="833 745 987 775">C6351HM-9P</p>
<p data-bbox="124 1406 295 1435">C6351HFA-9P</p>	<p data-bbox="833 1406 1003 1435">C6351HMA-9P</p>

C6351 SERIES

6.35mm pitch wire to wire and wire to board connector



C6351HF<HFA>	C6351HM<HMA>
<p data-bbox="124 651 293 678">C6351HF-10P</p>	<p data-bbox="826 651 995 678">C6351HM-10P</p>
<p data-bbox="124 1361 309 1388">C6351HFA-10P</p>	<p data-bbox="826 1361 1011 1388">C6351HMA-10P</p>