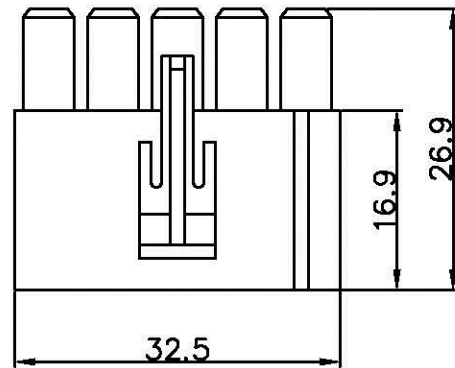
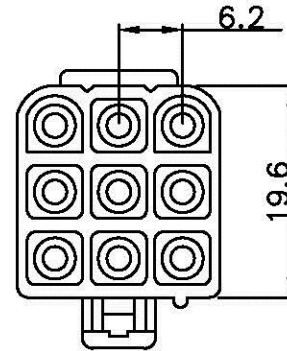
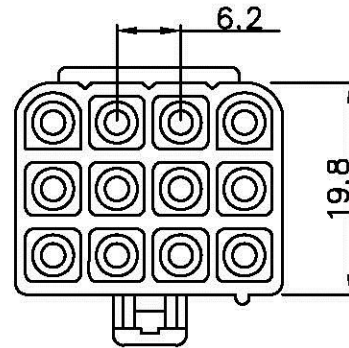
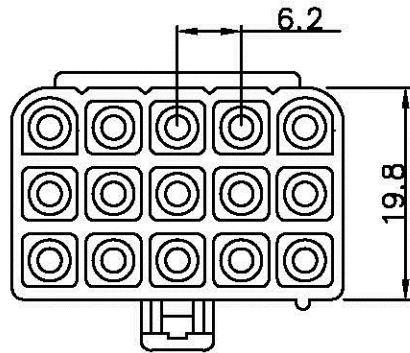


SPECIFICATIONS

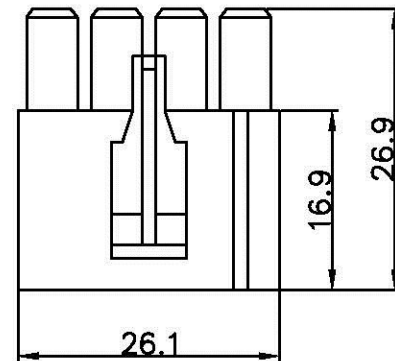
Circuit:1,2,3,4,6,9,12,15
 Voltage rating:300V AC,DC
 Current rating:12A AC,DC
 Withstanding voltage:1500V AC/minute
 Insulation resistance:1000M ΩHM min
 Temperature range:-25 C~+90 C
 Material:UL94V-2 nylon 66

L-S-3Xxx-LF
 LEADFREE

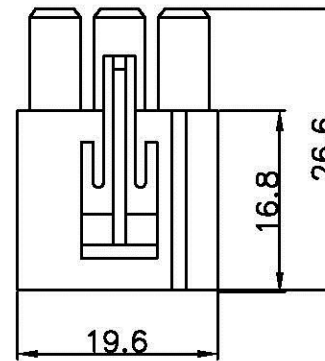
RoHS Compliant



L-S-3X05



L-S-3X04



L-S-3X03

Allconnectors

www.allconnectors.de
 Tel.: 0049 711 7095503
 70094 Filderstadt - Germany

info@allconnectors.de
 Fax:0049 711 7095504
 Kettnerstr. 25

PART NO. L-S-3Xxx

DWG NO. L-S-3Xxx

CHECKED BY CY

TOLERANCES ARE

DESCRIPTION:

FILE NO.

DRAWING BY

.X±0.3
 .XX±
 XXX±
 AWG

UNIT / mm

SCALE 1:1

PROJECTION

AREA

REVISIONS

HK

DATE

焜倫股份有限公司