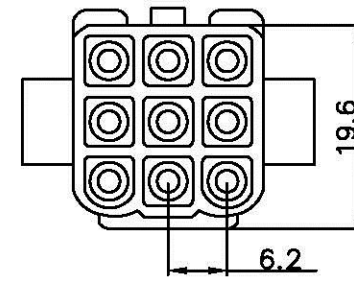
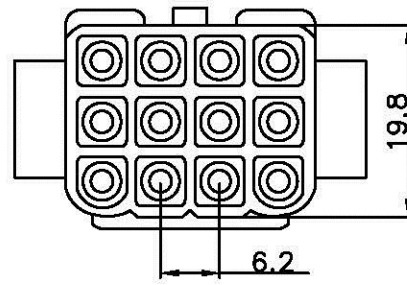
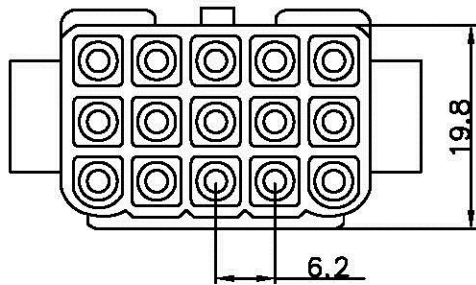
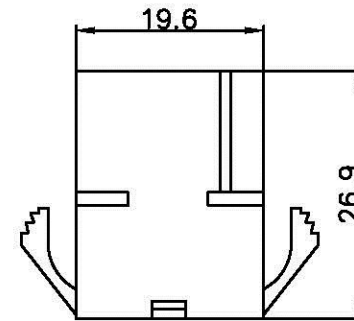
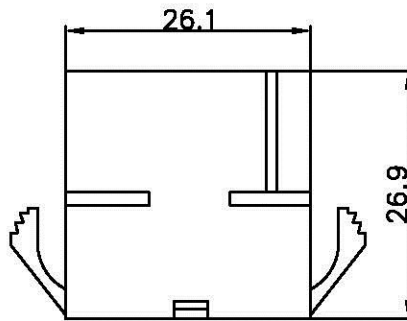
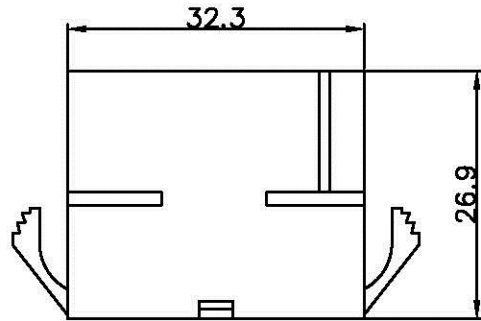


SPECIFICATIONS
 Circuit:1,2,3,4,6,9,12,15
 Voltage rating:300V AC,DC
 Current rating:12A AC,DC
 Withstanding voltage:1500V AC/minute
 Insulation resistance:1000M ΩHM min
 Temperature range:-25 C~+90 C
 Material:UL94V-2 nylon 66



L-PE-3X05

L-PE-3X04

L-PE-3X03

L-PE-3Xxx-LF
 LEADFREE

RoHS Compliant

Allconnectors

www.allconnectors.de
 Tel.: 0049 711 2001501
 70794 Filderstadt - Germany

Info@allconnectors.de
 Fax: 0049 711 2001504
 Kellerstr. 25

PART NO. L-PE-3Xxx

DWG NO. L-PE-3Xxx

FILE NO.

UNIT / mm

SCALE 1:1

CHECKED BY CY

DRAWING BY

PROJECTION

TOLERANCES ARE

.X ± 0.3
 .XX ±
 .XXX ±
 AWG

DESCRIPTION:

AREA	REVISIONS	HK	DATE
------	-----------	----	------

焜倫股份有限公司