

SPECIFICATIONS

Circuit:1,2,3,4,6,9,12,15

Voltage rating:300V AC,DC

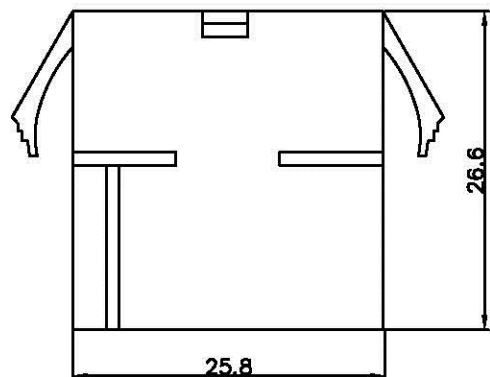
Current rating:12A AC,DC

Withstanding voltage:1500V AC/minute

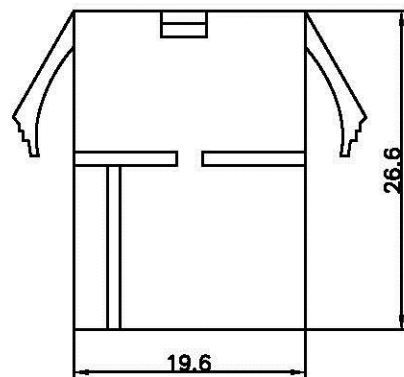
Insulation resistance:1000M ΩHM min

Temperature range:-25 C~+90 C

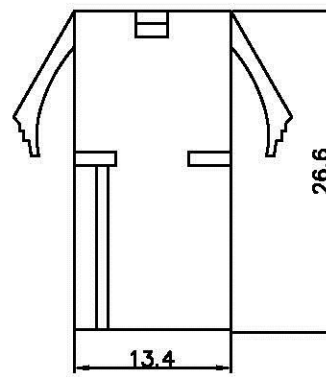
Material:UL94V-2 nylon 66



L-PE-1X04



L-PE-1X03



L-PE-1X02

L-PE-1Xxx-LF
LEADFREE

RoHS Compliant

All Connectors

www.allconnectors.de
Tel: 0049 /11 7009008
70 734 Hilderstadt - Germany

info@allconnectors.de
Fax: 0049 /11 7009001
Kettnerstr. 25

PART NO. L-PE-1Xxx

DWG NO. L-PE-1Xxx

FILE NO.

UNIT / mm

SCALE 1:1

CHECKED BY CY

DRAWING BY

PROJECTION



TOLERANCES ARE

.X±0.3

.XX±

.XXX±

AWG

DESCRIPTION:

AREA

REVISIONS

HK

DATE

焜倫股份有限公司