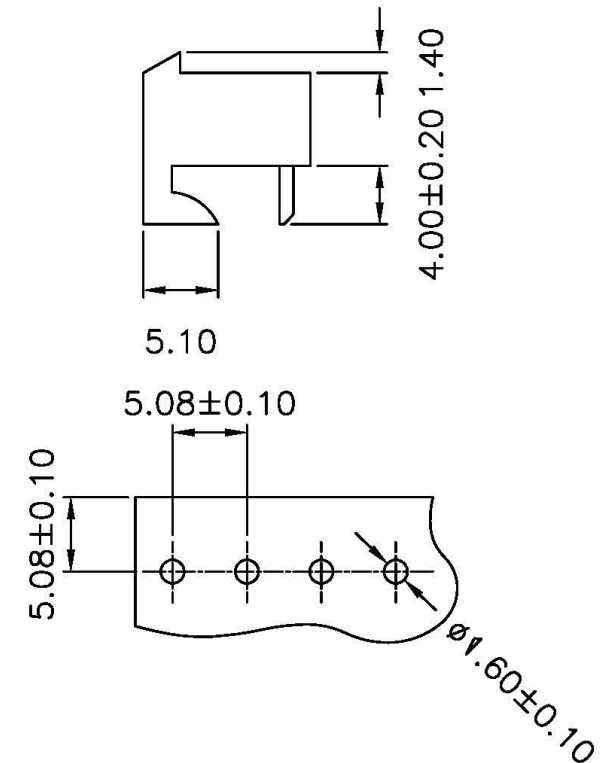
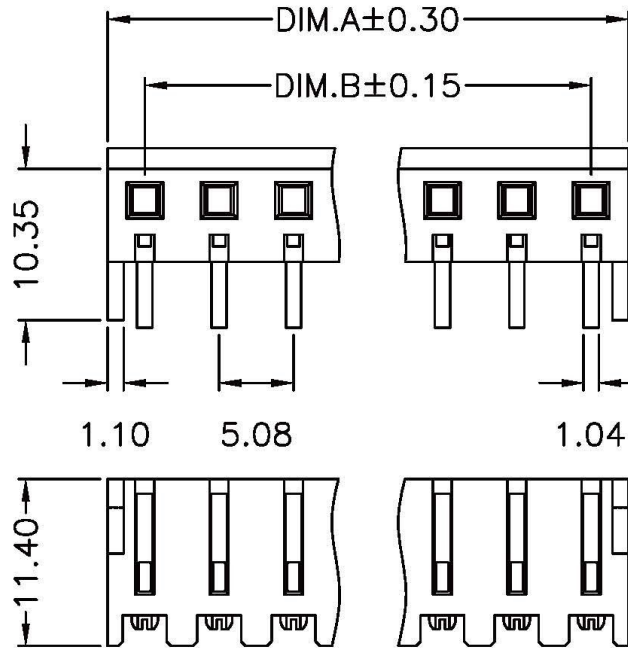


## FEATURES:

- 2–20 Circuits
- Housing, UL 94V–2 Nylon 6/6, Natural
- Designed for parallel and perpendicular board stacking, connection
- Mates with .045" [1.14mm] square pins or round pins

## SPECIFICATIONS:

- Current rating: 7A AC, DC
- Voltage rating: 250V AC, Maximum
- Temperature range:  $-40^{\circ}\text{C} \sim +105^{\circ}\text{C}$
- Contact resistance: Initial Value/10m $\Omega$  max.  
After environmental testing /20m $\Omega$  max.
- Insulation resistance: 5000 M $\Omega$  min
- Withstand Voltage: 1500V AC/minute
- Applicable PC board thickness: .063" [1.6mm]



Recommended Hole Dimensions

PIN數	DIM.A	DIM.B	PIN數	DIM.A	DIM.B
02	10.16	5.08	12	60.96	55.88
03	15.24	10.16	13	66.04	60.96
04	20.32	15.24	14	71.12	66.04
05	25.40	20.32	15	76.20	71.12
06	30.48	25.40	16	81.28	76.20
07	35.56	30.48	17	86.36	81.28
08	40.64	35.56	18	91.44	86.36
09	45.72	40.64	19	96.52	91.44
10	50.80	45.72	20	101.6	96.52
11	55.88	50.80			

**All Connectors**

www.allconnectors.de  
Tel.: 0049 711 7009503  
70794 Filderstadt - Germany

info@allconnectors.de  
Fax: 0049 711 7009504  
Kettenerstr. 25

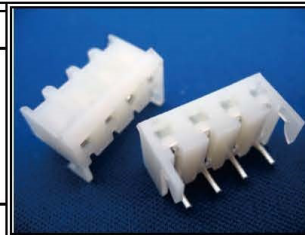
**RoHS Compliant**

DRAWING BY CY  
CHECKED BY GENIUS  
UNIT/mm SCALE 1:1  
DATE  
SIZE A4

TOLERANCES ARE

X ±  
.X ±  
.XX ±  
.XXX ±  
ANG ±

PJECTION



**ORDER INFORMATION**

LKX-S-xx-LF  
SERIES | 02-20WAY | LEADFREE  
SIDE ENTRY

DESCRIPTION: