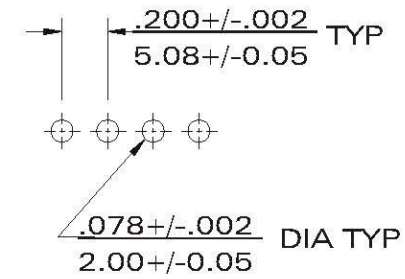
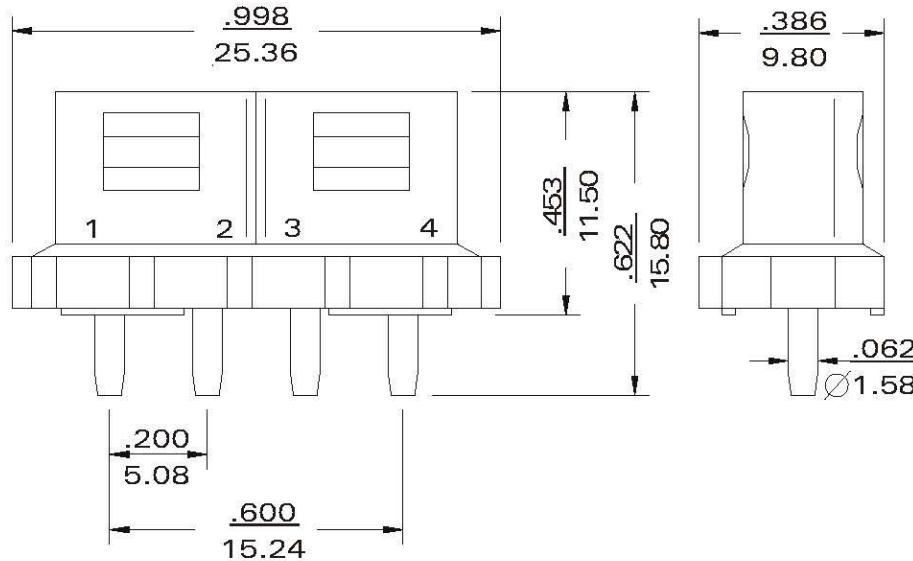
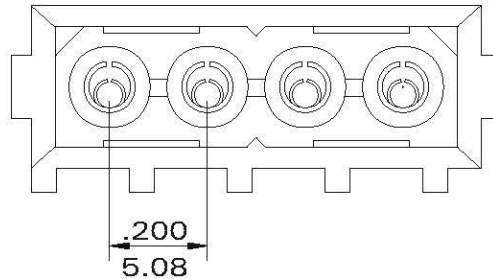
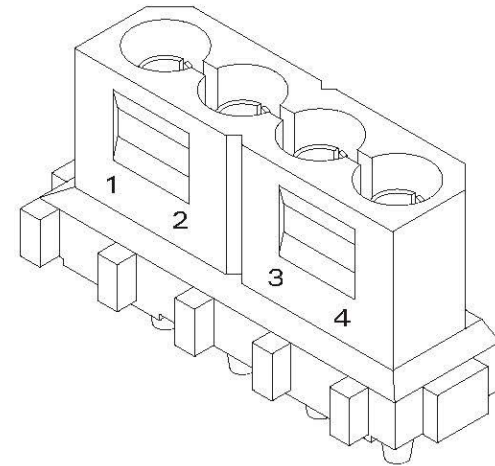


Vertical Mount Female Header

- * Material : Nylon UL 94V-2
- * Current rating : 4.5A, AC/DC
- * Voltage rating : 250V AC
- * Finish : Tin-plated or gold-flash
- * Split pins
- * 4 Circuits



RECOMMENDED PCB LAYOUT


DP-SD-04-LF
LEADFREE

RoHS Compliant

All Connectors

www.allconnectors.de
Tel.: 0049 711 7009503
70794 Filderstadt - Germany

info@allconnectors.de
Fax: 0049 711 7009534
Kettnerstr. 25

PART NO. DP-SD-04		CHECKED BY CY		TOLERANCES ARE .X ± 0.2 .XX ± .XXX ± AWG	DESCRIPTION:			
DWG NO. DP-SD-04		DRAWING BY						
FILE NO.		PROJECTION 		AREA	REVISIONS	HK	DATE	
UNIT / mm	SCALE 1:1							