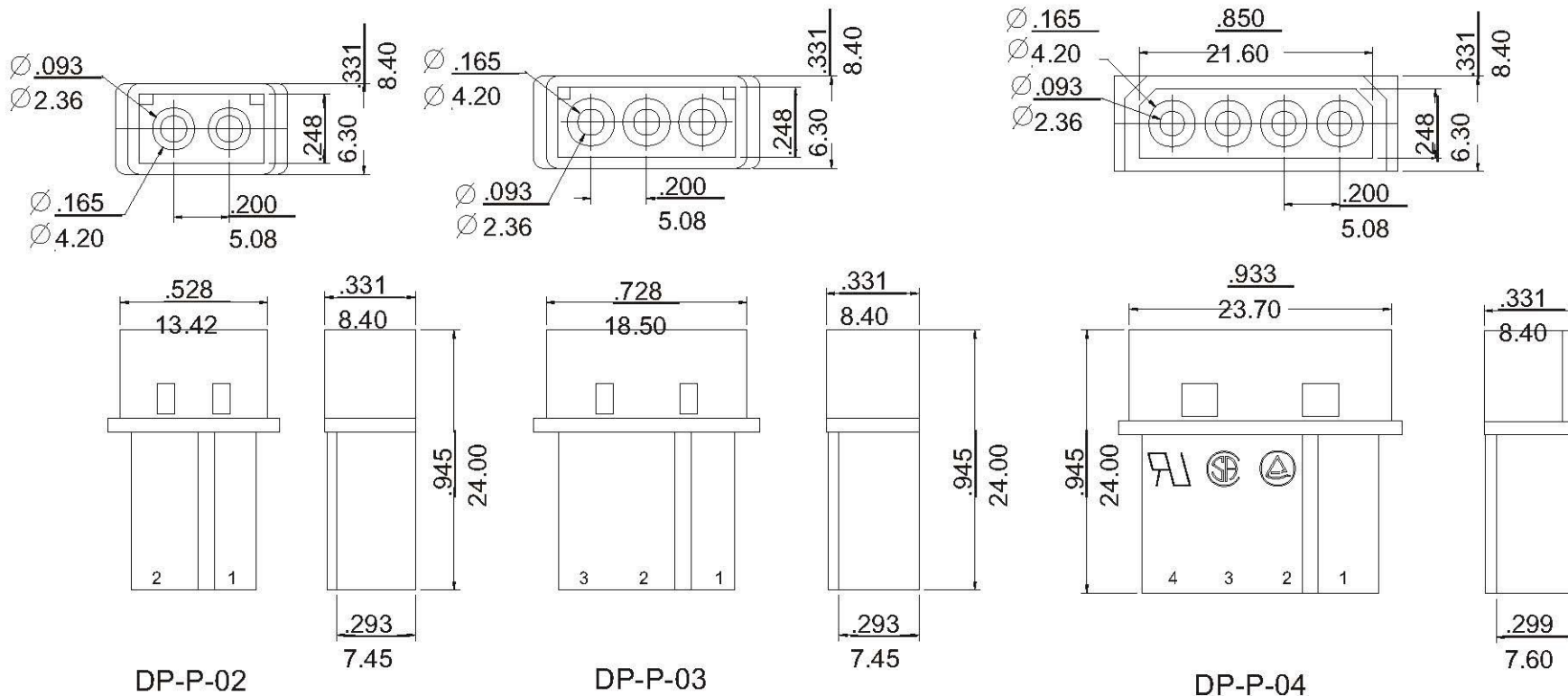


- \* Material: Nylon UL 94V-2
- \* Current rating : 5A, AC/DC
- \* Voltage rating : 250V, AC/DC
- \* Color : Natural
- \* 2,3 & 4 circuits available



inch  
mm

**Allconnectors**

www.allconnectors.de  
Tel.: 0049 711 7099503  
70794 Filderstadt - Germany

info@allconnectors.de  
Fax: 0049 711 7099504  
Kettnerstr. 25

PART NO. DP-P-xx

DWG NO. DP-P-xx

FILE NO.

UNIT / mm

SCALE 1:1

APPROVED BY CY

DRAWING BY

PROJECTION



TOLERANCES ARE

.X  
.XX  
.XXX  
AWG

DESCRIPTION:

AREA

REVISIONS

HK

DATE