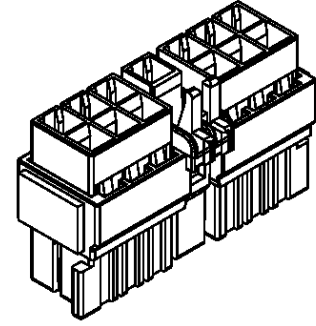
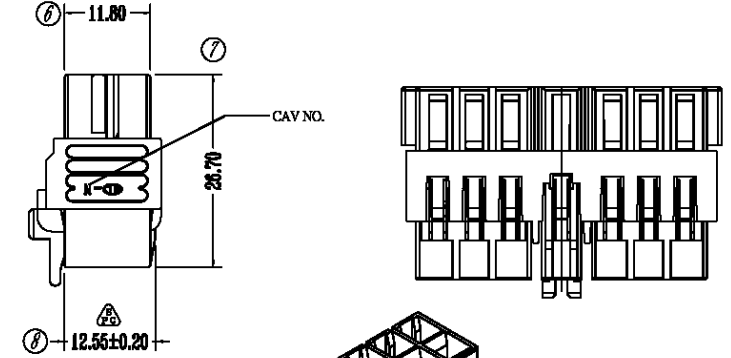
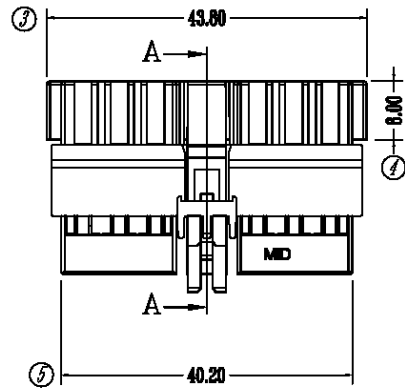
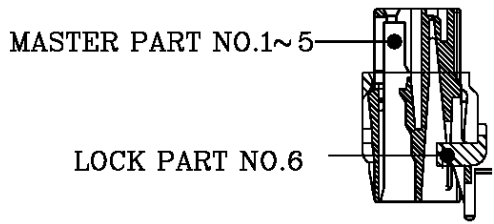
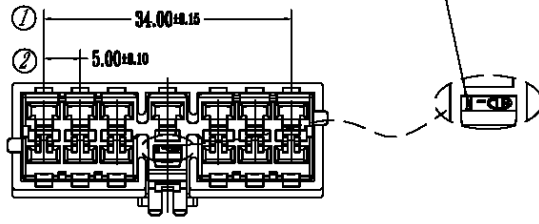


1 2 3 4 5 6 7 8

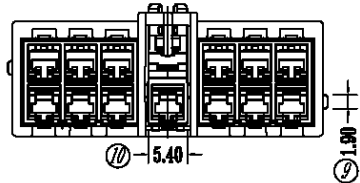
修訂 Revision

記號 MARK	版本 REV	修訂內容 DESCRIPTION	變更單 ECN	日期 DATE	繪圖 DWN.
	1.0	新版 NEW VERSION		2010.07.05	郝猛

NOTE:
1. ALL THE DIMENSIONS ARE MEASURED UNDER
GRADE "B" UNLESS OTHERWISE SPECIFIED.



SECTION A-A



Allconnectors
www.allconnectors.eu | info@allconnectors.eu
Tel: +49 (0)711 358 110 20 | Fax: +49 (0)711 358 110 25

UNIT	mm	Projection	
TOLERANCES			
GRADE	A	B	
< 10.0	± 0.15	± 0.2	
> 10.0	± 0.2	± 0.3	
> 50.0	± 0.3	± 0.55	
> 100.0	± 0.5	± 0.95	
> 250.0	± 0.75	± 1.40	
Angle	±30°	±30°	
DRAWN	Kevin	DATE	2010/7/5
SCALE	Free	Material	PVC

118 Type Female Housing			
PART NO. SMID13FB			
SHEET	1/1	REV	A0

lock	2	85MID13FBC	--	锌合金	NATURE	---	---
MASTER	1	8MID13FORM10OR	--	PA66-GF	ORANGE	---	6840101-2 PSS
F.P.		MID13FOR	1+2	PA66-GF	ORANGE	---	6840101-2 PSS
類別 Type	NO.	產品編號 Part Number	構成零件 Composed parts	材質 Material	顏色 Color	對手件 Counter P/No.	配合端子 Applicable Ter.

1 2 3 4 5 6 7 8

A
B
C
D
E
F

A
B
C
D
E
F