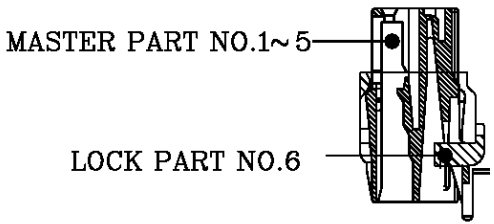
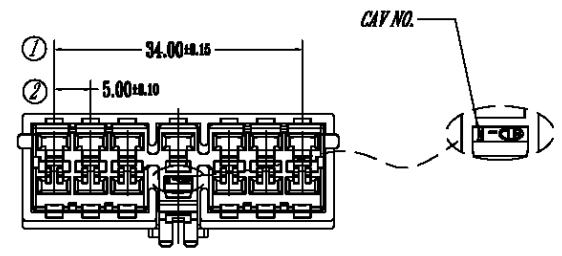
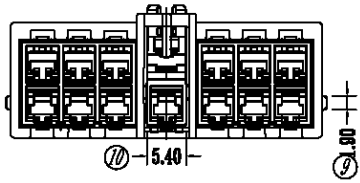
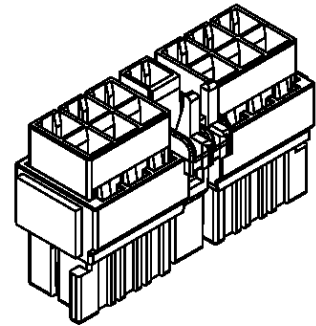
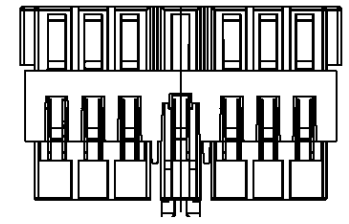
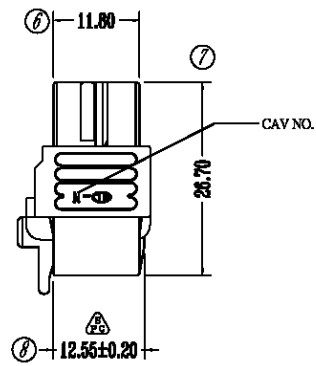
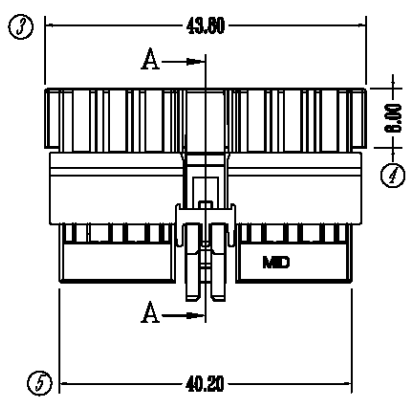


修訂 Revision					
記號 MARK	版本 REV	修訂內容 DESCRIPTION	變更單 BCN	日期 DATE	繪圖 DWN.
	1.0	新版 NEW VERSION		2010.07.05	郝猛

NOTE:
1. ALL THE DIMENSIONS ARE MEASURED UNDER GRADE "B" UNLESS OTHERWISE SPECIFIED.



SECTION A-A



UNIT	mm	Projection	
TOLERANCES			
GRADE	A	B	
<10.0	±0.15	±0.2	
>10.0	±0.2	±0.3	
>50.0	±0.3	±0.55	
>100.0	±0.5	±0.95	
>250.0	±0.75	±1.40	
Angle	±30°	±30°	
DRAWN	Kevin	DATE	2010/7/5
SCALE	Free	Material	PVC

 <small>www.allconnectors.eu info@allconnectors.eu Tel. +49 (0)711 / 358 110 20 Fax +49 (0)711 / 358 110 25</small>			
118 Type Female Housing			
PART NO. SMID13FB			
SHEET	1/1	REV	A0

lock	2	85MID13FBC	--	鋅合金	NATURE	---	---
MASTER	1	3MID13FLM10BL	--	PA66-GF	BLUE	---	6840101-2 PSS
F.P.		MD13FBL	1+2	PA66-GF	BLUE	---	6840101-2 PSS
類別 Type	NO.	產品編號 Part Number	構成零件 Composed parts	材質 Material	顏色 Color	對手件 Counter P/No.	配合端子 Applicable Ter.