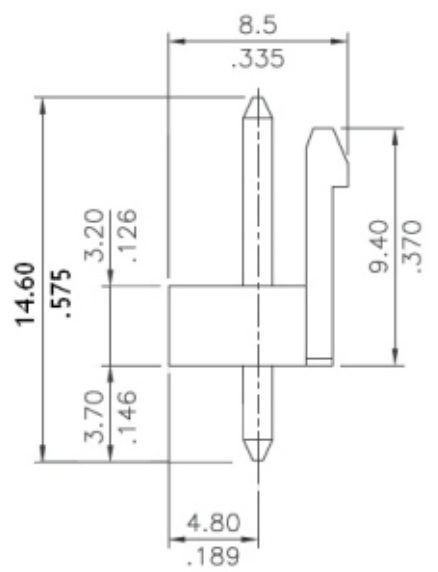
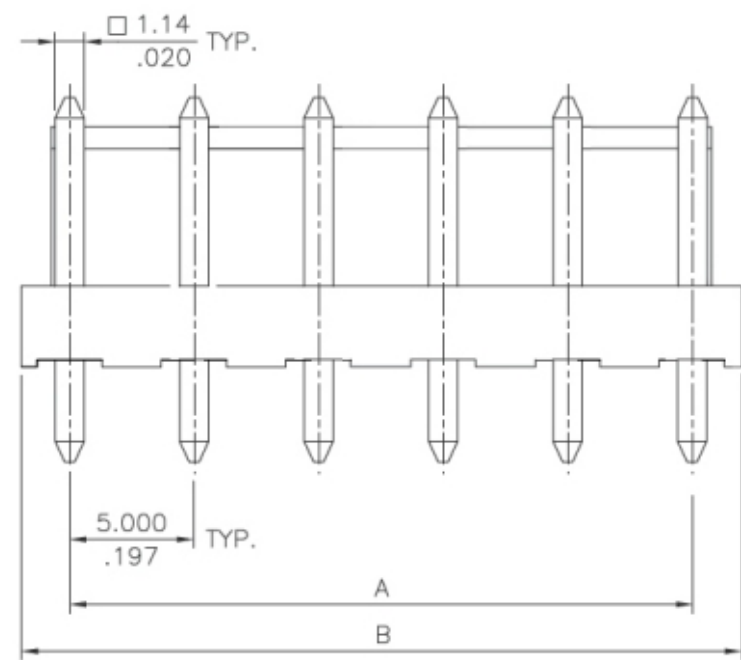
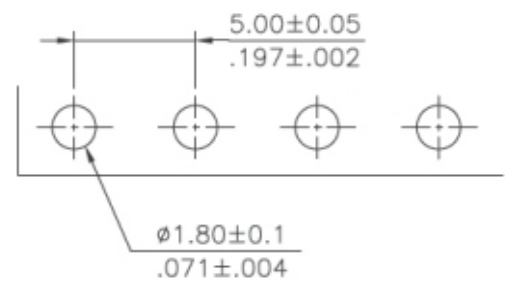


Material:  
 \* Insulation: Nylon 66 UL 94V-0  
 Color Nature  
 \* Contact: Brass

- ⊙ Rated Current and Voltage : 7A , 250V AC(r. m. s)
- ⊙ Dielectric Withstanding Voltage : 1500V AC for one minute
- ⊙ Contact Resistance : <20mΩ
- ⊙ Insulation Resistance : >1000MΩ
- ⊙ Operating Temperature : -55°C~85°C



Circuits	Dimension	
	A	B
2	5.00(.197)	9.9(.390)
3	10.00(.394)	14.9(.587)
4	15.00(.591)	19.9(.783)
5	20.00(.787)	24.9(.980)
6	25.00(.984)	29.9(1.177)
7	30.00(1.181)	34.9(1.374)
8	35.00(1.378)	39.9(1.571)
9	40.00(1.575)	44.9(1.768)
10	45.00(1.772)	49.9(1.965)
11	50.00(1.969)	54.9(2.161)
12	55.00(2.165)	59.9(2.358)



NV-D-xx-LF  
 LEADFREE

RoHS Compliant

Recommended P.C. Board Layout

PART NO. NV-D-xx		CHECKED BY CY		TOLERANCES ARE .X ± 0.2 .XX ± 0.1 .XXX ± .001 AWG	DESCRIP TION:
DWG NO. NV-D-xx		DRAWING BY			
FILE NO.		PROJECTION		AREA	REVISIONS
UNIT / mm	SCALE 1 : 1			HK	DATE