

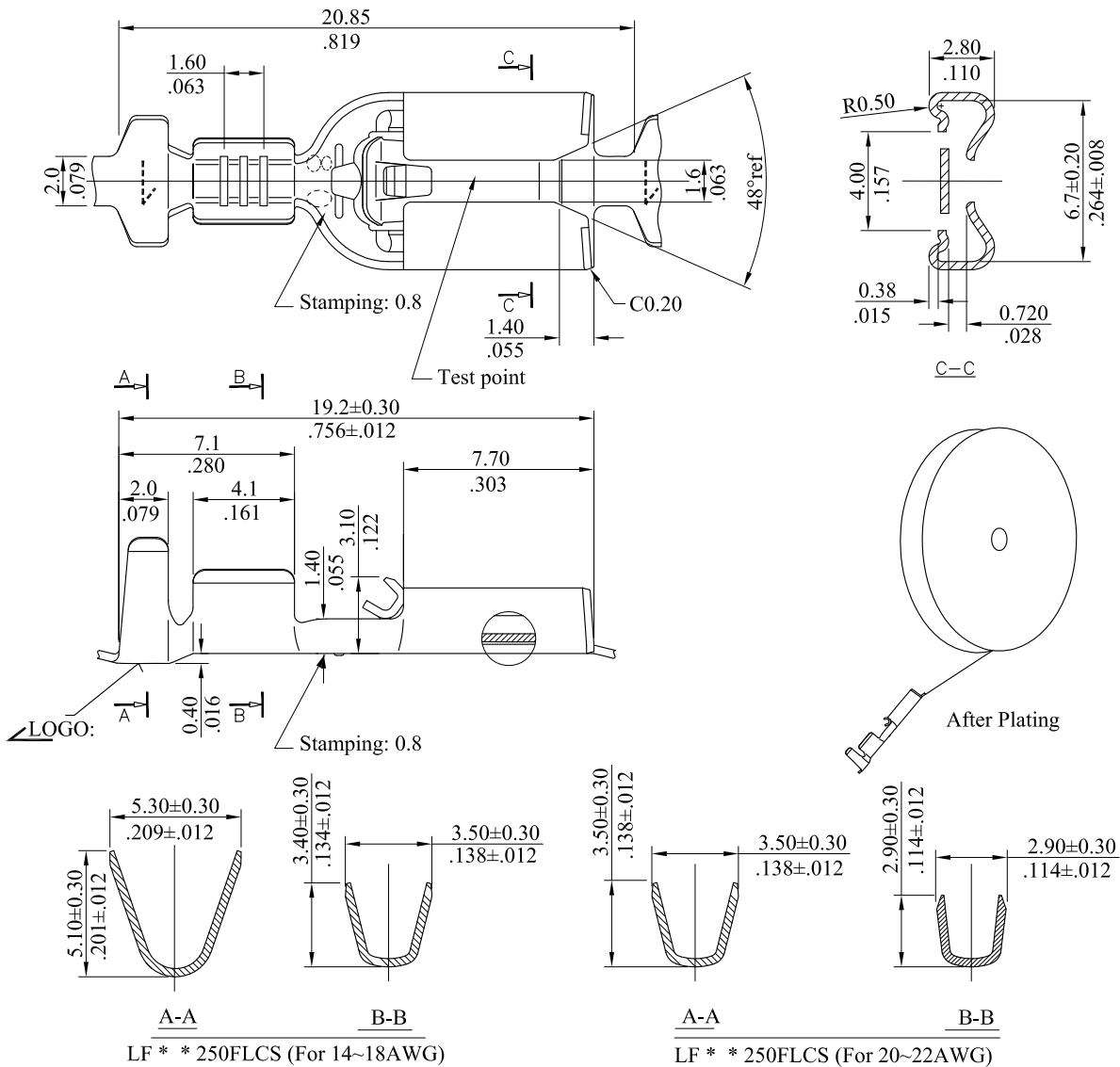
Note:

RoHS COMPLIANT

- Material: See the below information.  
 Thickness: 0.35mm  
 Finished: Tin-Argon Plating
- Insertion force  $\leq 2.5$ kg, Withdrawal force  $\geq 1.0$ kgf (with 0.8mm male terminal).
- Applicable wire: AWG 14 to 22
- Ordering Information:

$$LF \begin{matrix} * & * \\ 1 & 2 \end{matrix} 250FL \begin{matrix} * & S \\ 3 & \end{matrix}$$

- Plating:  
 N=Unplating  
 T=Tin plated 120u"
- Material:  
 C=Phosphor bronze C5191  
 B=Brass C2680  
 S=SUS 304-CSP 1/2H (withstand 300°C)
- See below drawing.



				<b>All Connectors</b> <small>www.allconnectors.eu   info@allconnectors.eu Tel. +49 (0)711 / 358 110 20   Fax +49 (0)711 / 358 110 25</small>		APPROVED:		PART NO.:																		
				GENERAL TOLERANCES: (UNLESS SPECIFIED)		DATE:		LF * * 250FL*S																		
						CHECKED:		TITLE:																		
				<table border="1" style="width: 100%; text-align: center;"> <tr> <td></td> <td>mm</td> <td>inch</td> </tr> <tr> <td>1 PLACE</td> <td>± 0.30</td> <td>± --</td> </tr> <tr> <td>2 PLACES</td> <td>± 0.20</td> <td>± .012</td> </tr> <tr> <td>3 PLACES</td> <td>± 0.10</td> <td>± .008</td> </tr> <tr> <td>4 PLACES</td> <td>± --</td> <td>± .004</td> </tr> </table>			mm	inch	1 PLACE	± 0.30	± --	2 PLACES	± 0.20	± .012	3 PLACES	± 0.10	± .008	4 PLACES	± --	± .004	DATE:		Terminal			
	mm	inch																								
1 PLACE	± 0.30	± --																								
2 PLACES	± 0.20	± .012																								
3 PLACES	± 0.10	± .008																								
4 PLACES	± --	± .004																								
				<table border="1" style="width: 100%; text-align: center;"> <tr> <td></td> <td>mm</td> <td>inch</td> </tr> <tr> <td>ANGULAR</td> <td colspan="2">± ( 1° )</td> </tr> </table>			mm	inch	ANGULAR	± ( 1° )		DRAWN:		DRAWING NO.:												
	mm	inch																								
ANGULAR	± ( 1° )																									
						DATE:		LFTC09S																		
REV.	ECO. NO.	CHG.	APP.			UNITS		SCALE	SIZE	SHEET	REV.															
						3:1	A4	1/1	D																	