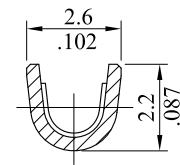
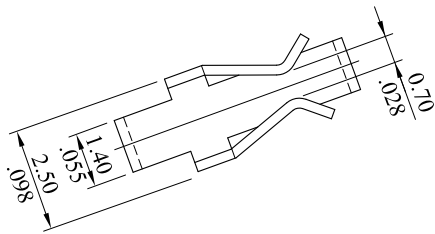
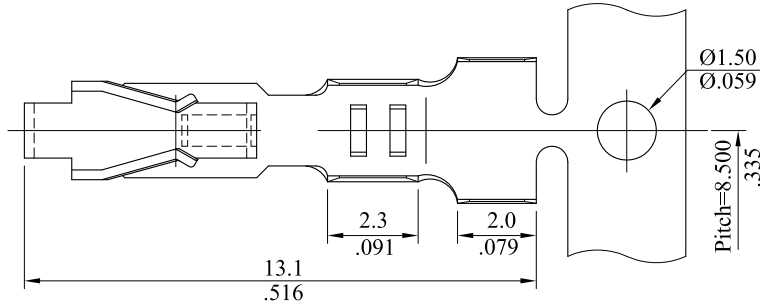


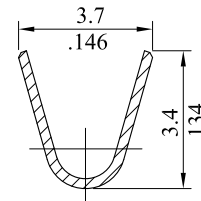
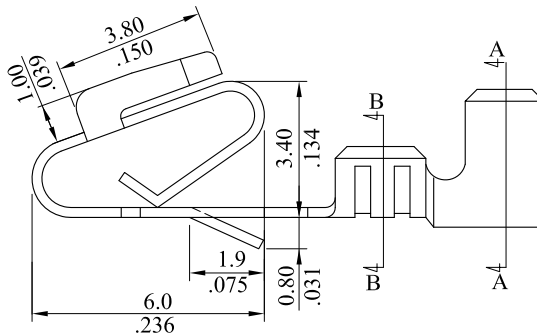
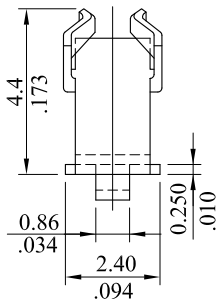
*** 3983 ***

RoHS COMPLIANT

- 1. Material : Phosphor Bronze
- 2. Plating: Tin plated 120μ " min over 30μ " min. nickel overall



SECTION B-B



SECTION A-A

 <small>www.allconnectors.eu info@allconnectors.eu</small> <small>Tel. +49 (0)711 / 358 110 20 Fax +49 (0)711 / 358 110 25</small>				APPROVED:		PART NO.:																		
				DATE:		3983TPB0000																		
GENERAL TOLERANCES: (UNLESS SPECIFIED)				CHECKED:		TITLE:																		
				DATE:		CRIMP TERMINAL																		
<table border="1"> <thead> <tr> <th></th> <th>mm</th> <th>inch</th> </tr> </thead> <tbody> <tr> <td>1 PLACE</td> <td>± 0.30</td> <td>± --</td> </tr> <tr> <td>2 PLACES</td> <td>± 0.20</td> <td>± .012</td> </tr> <tr> <td>3 PLACES</td> <td>± 0.10</td> <td>± .008</td> </tr> <tr> <td>4 PLACES</td> <td>± --</td> <td>± .004</td> </tr> </tbody> </table>					mm	inch	1 PLACE	± 0.30	± --	2 PLACES	± 0.20	± .012	3 PLACES	± 0.10	± .008	4 PLACES	± --	± .004	DRAWN:		DRAWING NO.:			
					mm	inch																		
1 PLACE	± 0.30	± --																						
2 PLACES	± 0.20	± .012																						
3 PLACES	± 0.10	± .008																						
4 PLACES	± --	± .004																						
DATE:		398302S																						
REV.	ECO. NO.	CHG.	APP.			UNITS	SCALE	SIZE	SHEET	REV.														
						mm inch	5:1	A4	1/1	B														
ANGULAR ± (1°)																								